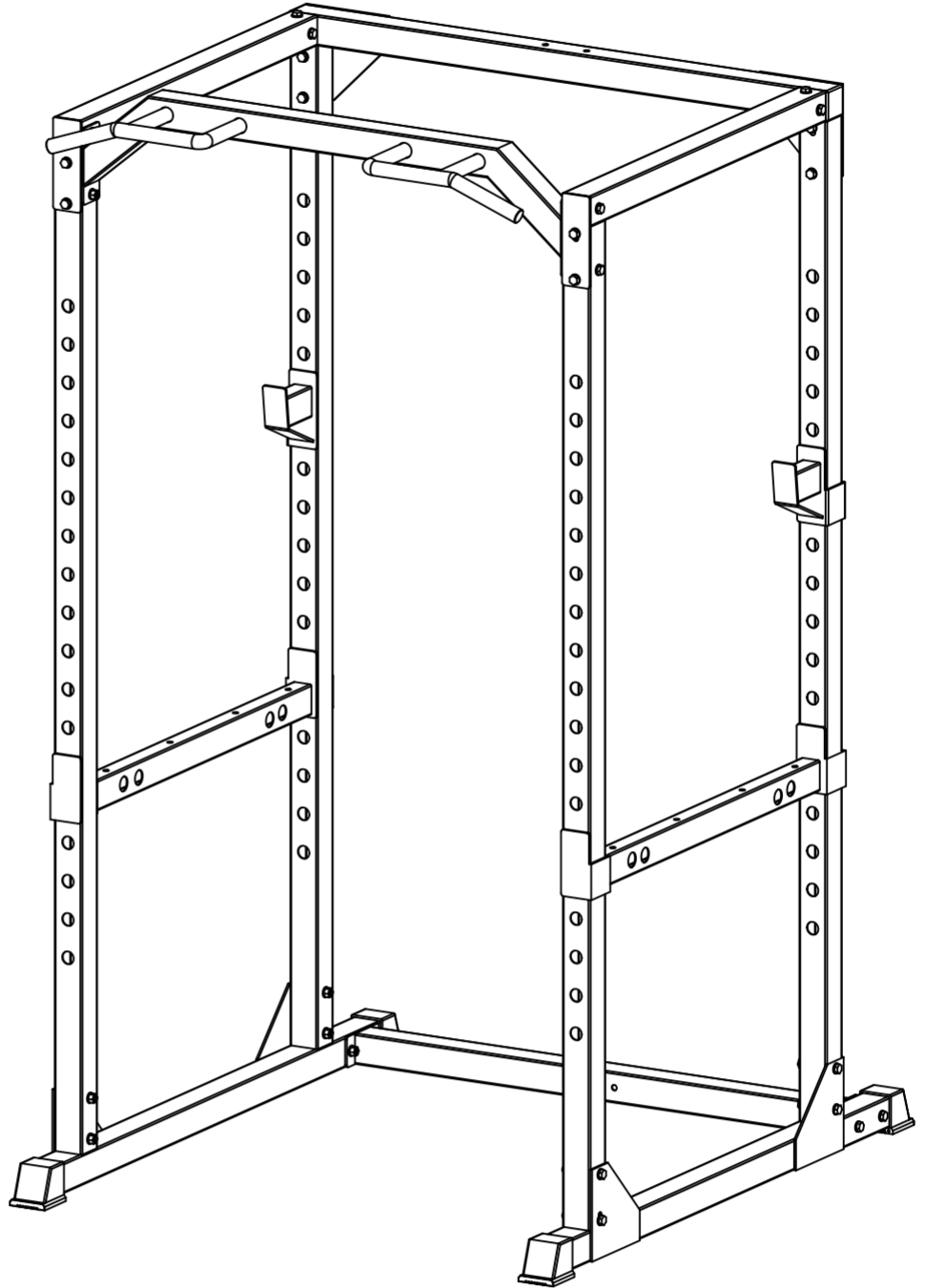


# OWNER'S MANUAL

## HEAVY DUTY POWER CAGE

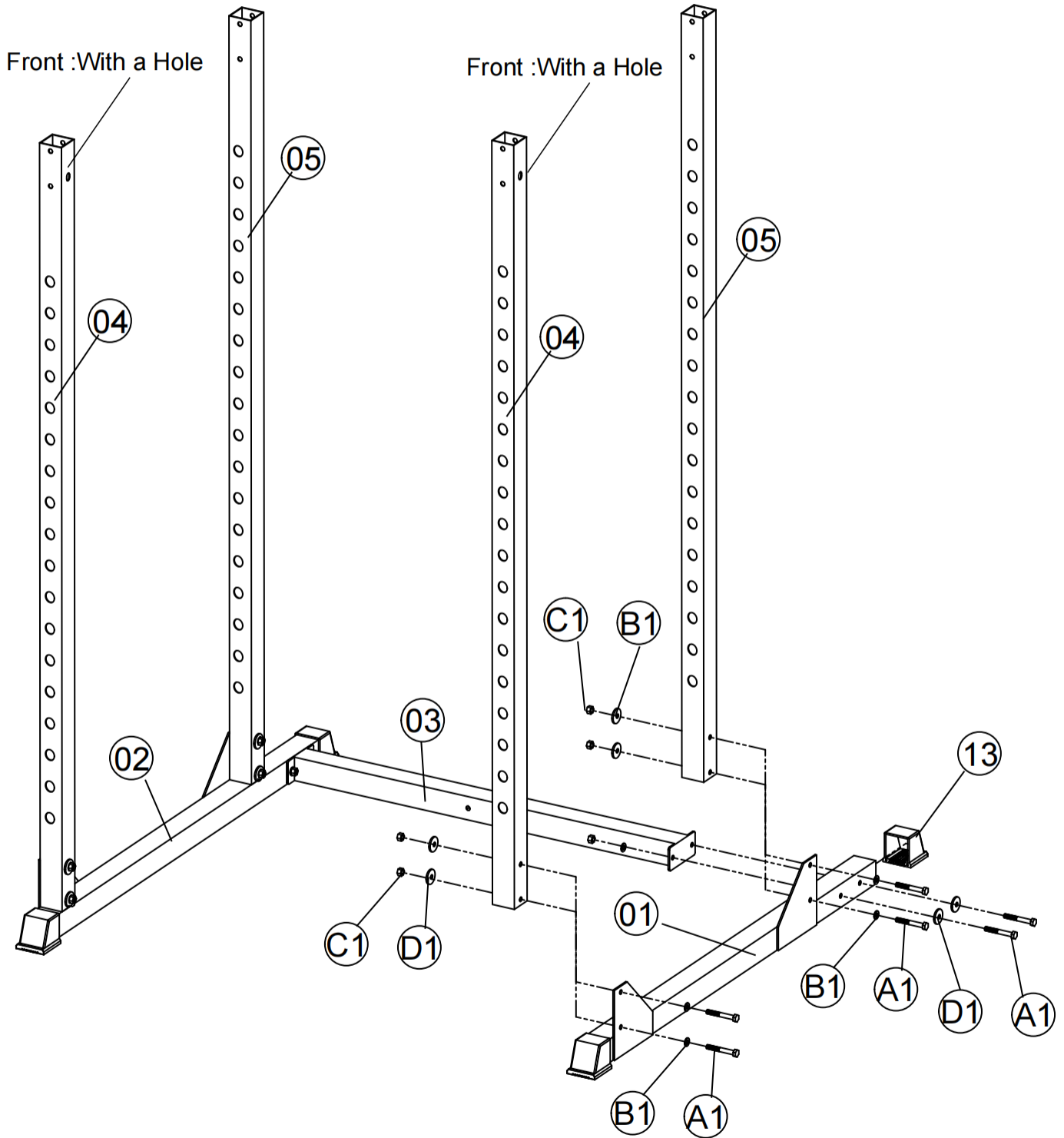
Model #: 475R

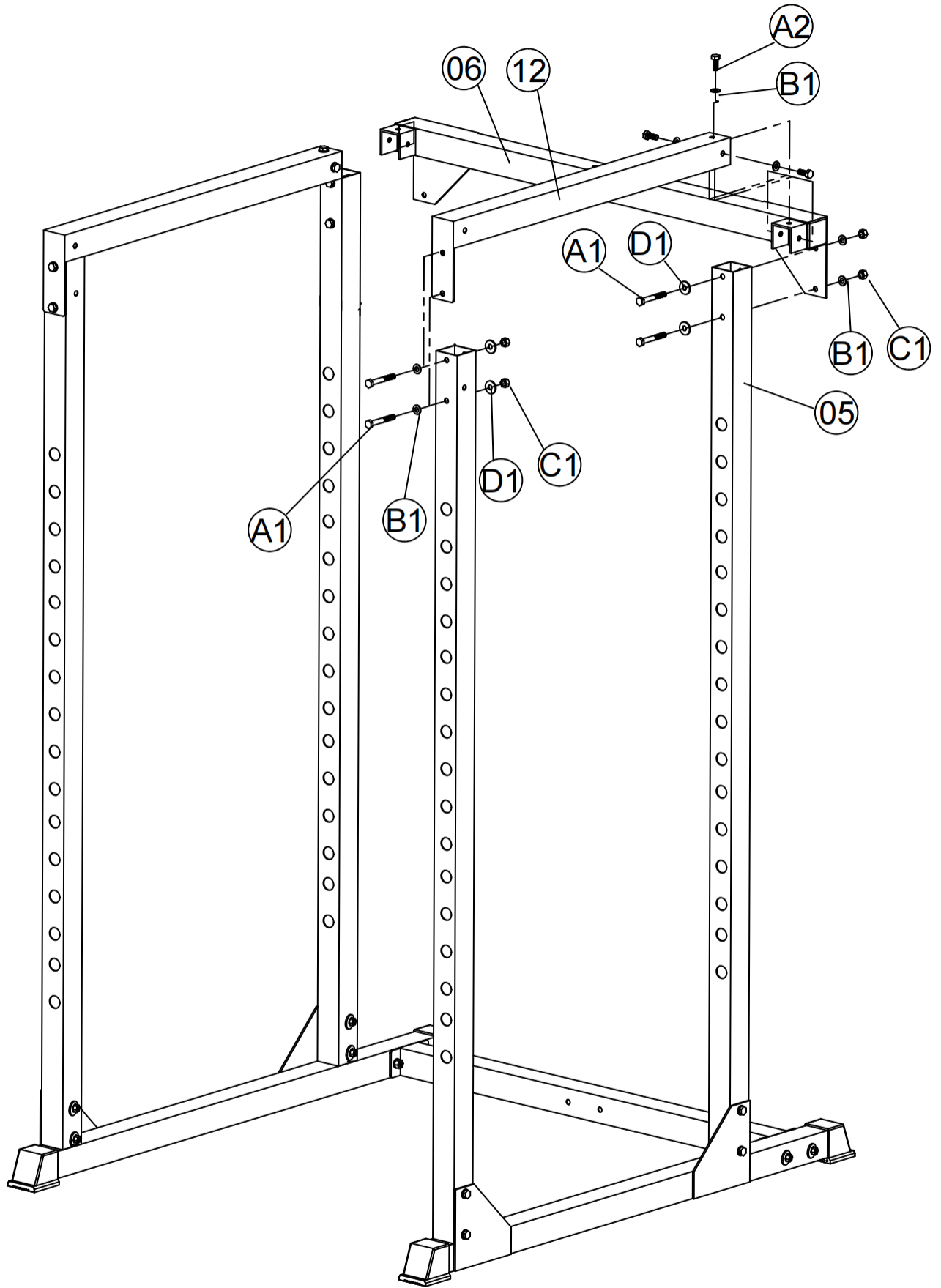


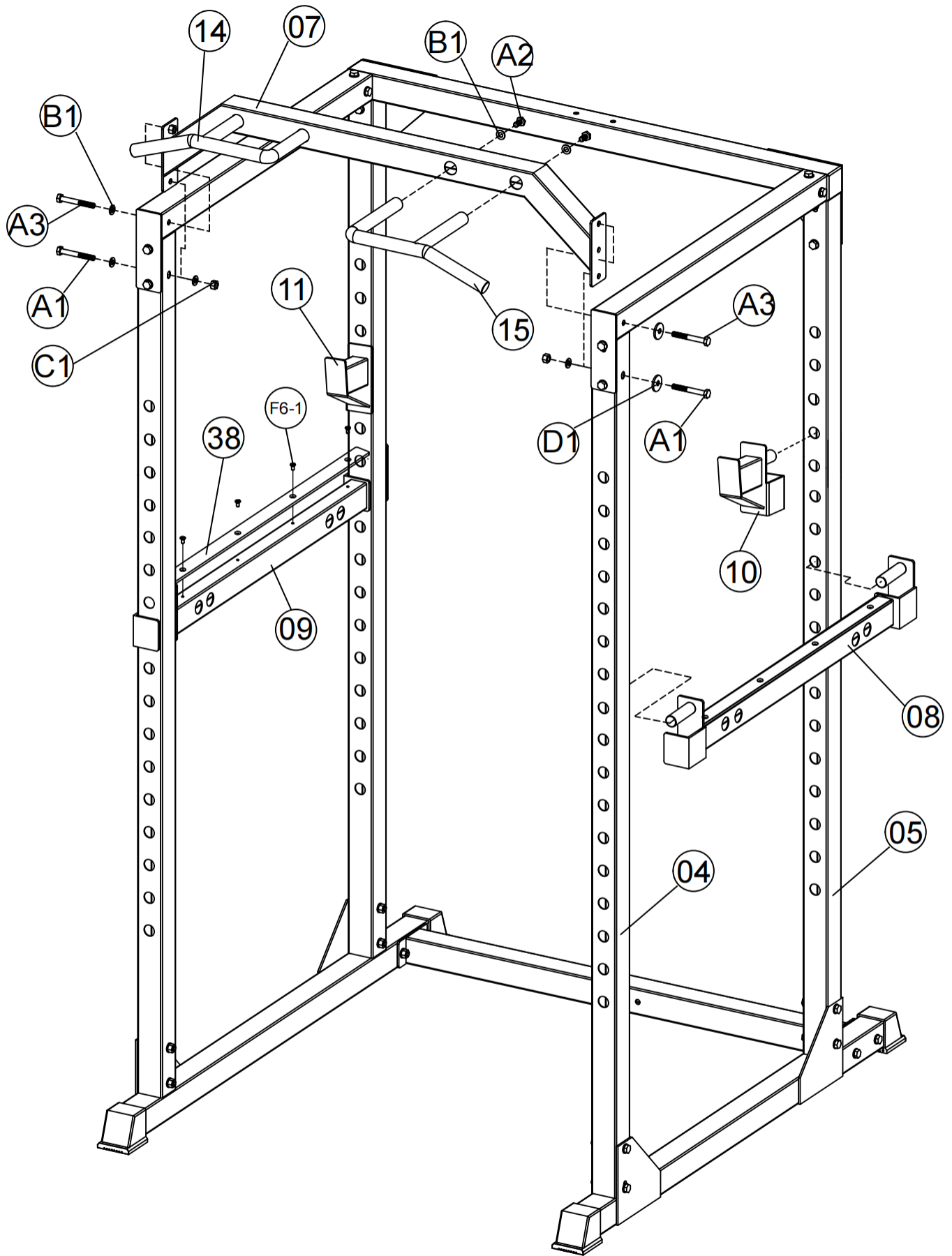
Caution: Read all precautions and instructions in this manual before using this equipment. Save this manual for future reference.

# ASSEMBLY INSTRUCTIONS

Place all parts in a clear area and remove the packing materials. We highly recommend that this weight bench be assembled by at least 2 persons.







# PARTS LIST

Part#	Description	Qty	Remark
1	Left Base Frame	1	
2	Right Base Frame	1	
3	Cross Brace	1	
4	Front Vertical Frame	2	
5	Rear Vertical Frame	2	
6	Upper Frame	1	
7	Pull-up Bar Support	1	
8	Right Safety Catch	1	
9	Left Safety Catch	1	
10	Right Adjustment Bar	1	
11	Left Adjustment Bar	1	
12	Top Beam	2	
13	Foot Cap	4	
14	Right Handle	1	
15	Left Handle	1	
38	Safety Catch Cover	2	Pre-assembled
A1	HexHead Bolt M10x80	22	
A2	Hex Head Bolt M10x20	10	
A3	Hex Head Bolt M10x75	2	
B1	Flat Washer Dia10	32	
D1	Big Flat Washer Dia10	24	
C1	Nylon Lock Nut M10	22	
F6-1	Flat Head Bolt M6x10	8	Pre-assembled

## ***Limited Warranty***

We warrants this product to be free from defects in workmanship and materials under normal use and conditions for a period of **1 year FROM THE DATE OF ORIGINAL PURCHASE**. This Limited Warranty is not transferable and is available only for the original purchaser of the product. The company's obligation under this warranty is limited to replacing or repairing the product, at the discretion of the company.

This Limited Warranty is void if the product is:

Damaged through improper use, negligence, abuse, misuse, transportation damage, act of nature, or accident, include failure to follow the assembly and or operation instructions supplied with the product.

Used in commercial or rental applications.

Modified or repaired by anyone not authorized by the company.

This Limited Warranty does not cover expendable items including but not limited to: Batteries, light bulbs, fuses, accessories, and other items that experience wear as a result of normal use.