



54" WALLMOUNT  
BASKETBALL SYSTEM

MODEL NO.  
**B8303EF**  
HAMMER ITEM NO.  
**2105**



**Please Do Not Return This Product to the Store!**

Contact HAMMER SPORT AG at:  
Tel: 0731-97488-41  
E-mail: [info@hammer-basketball.com](mailto:info@hammer-basketball.com)

## PRE - ASSEMBLY TIPS

1. **Read this manual carefully before starting assembly.** Read each step completely before beginning each step.
2. **Some smaller parts may be shipped inside larger parts. Check inside all parts and cartons before assembling or ordering parts.**
3. **To make assembly easier, use the Hardware Identifier on page 8 to identify and sort all fasteners. Check all cartons for kits. All hardware may not be located in one kit.**
4. **Do not tighten hardware until instructed to do so. If hardware is tightened too soon, mounting holes may not align and parts may not easily fit together. Leave locknuts slightly loose until you are instructed to tighten them.**
5. **Save these instructions and your proof of purchase (receipt) in the event that the manufacturer has to be contacted for replacement parts.**

### Tools required for assembly:

- 2 Capable Adults
- Carpenters Level
- Pencil or other marking tool
- Masking tape
- 15ft (minimum) Tape Measure
- Step Ladder 8ft minimum (x2)
- 2 each Wrenches and/or Socket Wrenches and Sockets(deep-well sockets are recommended) (extension recommended) 13mm, 16mm,19mm
- Phillips Screw Driver

### **Please Do Not Return This Product To The Store!**

Contact HAMMER SPORT AG at:

Tel: 0731-97488-41

E-mail: [info@hammer-basketball.com](mailto:info@hammer-basketball.com)

Hammer Sport AG

Abt. Kundendienst

Von-Liebig-Str. 21

89231 Neu-Ulm

## WARNING

**FAILURE TO FOLLOW THESE WARNINGS MAY RESULT IN SERIOUS INJURY AND/OR PROPERTY DAMAGE.**

Owner must ensure that all players know and follow these rules for safe operation of the system.

- Do not climb on the basketball stand;
- Do not hang on the rim/basket;
- Not intended for basketball games with competitive character, only suitable for practice of throwing techniques
- Install only on flat solid ground;
- Do not use in extreme wind or bad weather, the basketball stand could tip over!

## CAUTION

CONSULT A STRUCTURAL ENGINEER OR BUILDER ON THE MOUNTING OF THIS UNIT AND THE HARDWARE REQUIRED TO DO SO. AVOID ATTACHING TO ANY BRICK SURFACE OR FACADE.

## WARNING

FAILURE TO FOLLOW THESE WARNINGS MAY RESULT IN SERIOUS INJURY AND/OR PROPERTY DAMAGE.

Owner must ensure that all players know and follow these rules for safe operation of the system.

- Only hang from the rim briefly to regain balance or avoid injuring others. Release the rim as soon as safely possible.
- During play, especially when performing dunk type activities, keep player's face away from the backboard, rim, and net. Serious injury could occur if teeth/face come in contact with backboard, rim, or net.
- When adjusting height, keep hands and fingers away from moving parts.
- Do not allow children to adjust system.
- During play, do not wear jewelry (rings, watches, necklaces, etc.) Objects may entangle in net.
- Once a month check all metal parts for rust. Completely remove rust and repaint with exterior enamel. If rust has penetrated any steel part, replace that part immediately.
- Check system before each use for loose hardware, signs of rust and instability. Repair before each use. Never play on damaged equipment.
- Wear a mouthguard when playing to avoid dental injuries.



## SAFETY INSTRUCTIONS



FAILURE TO FOLLOW THESE WARNING MAY RESULT IN SERIOUS INJURY AND/OR PROPERTY DAMAGE. Owner must ensure that all players know and follow these rules for safe operation of the system.



## SAFETY INSTRUCTIONS



FAILURE TO FOLLOW THESE SAFETY INSTRUCTIONS MAY RESULT IN SERIOUS INJURY, PROPERTY DAMAGE AND WILL VOID WARRANTY.

Owner must ensure that all players know and follow these rules for safe operation of the system.

To ensure safety, do not attempt to assemble this system without following the instructions carefully. Proper and complete assembly, use and supervision is essential for proper operation and to reduce the risk of accident or injury. A high probability of serious injury exists if this system is not installed, maintained, and operated properly.

- If using a ladder during assembly, use extreme caution.
- 2 people are recommended for this operation.
- Seat the pole sections properly (if applicable). Failure to do so could allow the pole sections to separate during play.
- Before digging contact utility company to locate underground power cables, gas and water lines. Ensure there are no overhead power lines within 20 ft. (7m) radius of pole location.
- Climate, corrosion or misuse could result in system failure.
- If technical assistance is required, contact the manufacturer.
- Minimum operational height is 6'6" (1.98m) to the bottom of backboard.

*Most injuries are caused by misuse and/or not following instructions.  
Use caution when using this system.*

**WARNING!**  
Failure to observe this warning may cause property damage and/or serious injury.

Only hang from the rim briefly to regain balance or avoid injuring others. Release the rim as soon as safely possible. Rim height adjustments should be made under parental supervision. Wear a mouth guard when playing to avoid dental injuries. During play, do not wear jewelry (rings, watches, necklaces, etc). Objects may entangle in net.

(Affixed to backboard)



# WARNING

DO NOT DUNK ON THIS UNIT .  
DO NOT HANG FROM ANY PART OF THIS  
UNIT, INCLUDING THE BACKBOARD, RIM,  
SUPPORT BRACES OR NET.

4L-8152-00

**WARNING:** IMPROPER  
INSTALLATION OR SWINGING  
ON THE UNIT MAY CAUSE  
SERIOUS INJURY OR DEATH



## **WARNING**

A SOLID MOUNTING SURFACE, CAPABLE OF WITHSTANDING NORMAL RECREATIONAL USE FORCES, MUST BE PROVIDED BY THE CUSTOMER. A RELIABLE CARPENTER OR BUILDING CONTRACTOR SHOULD BE CONSULTED IF THERE ARE ANY QUESTIONS REGARDING PROCEDURE.

## **WARNING**

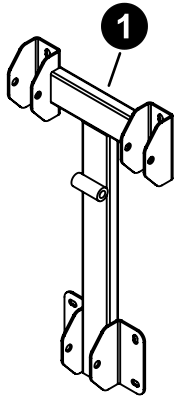
CAREFULLY INSPECT MOUNTING AREA FOR STRUCTURAL INTEGRITY AND HIDDEN ELECTRICAL WIRING.

## **WARNING**

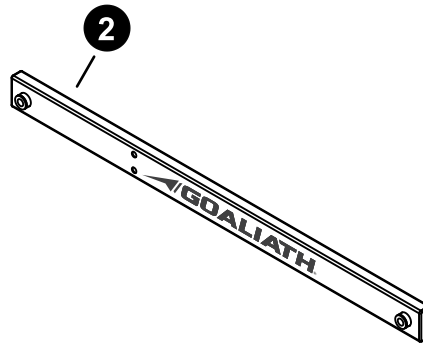
MINIMUM DISTANCE SHOULD BE 122" FROM TOP OF WALL BRACKET (ITEM #1) TO PLAYING SURFACE. HOMEOWNER MUST ASSUME ALL RESPONSIBILITY FOR ANY PERSONAL OR PROPERTY DAMAGE IF BACKBOARD HEIGHT IS LOWER THAN RECOMMENDED.

## **WARNING**

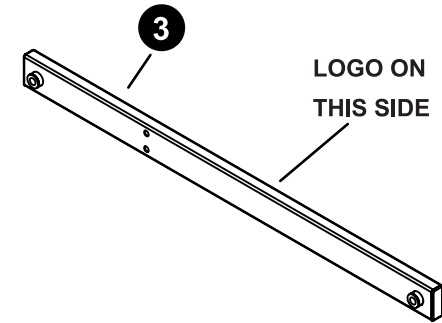
USE CAUTION: ASSEMBLY IS HEAVY. TWO CAPABLE ADULTS REQUIRED FOR ASSEMBLY. FAILURE TO FOLLOW THIS WARNING COULD RESULT IN SERIOUS INJURY AND/OR PROPERTY DAMAGE.



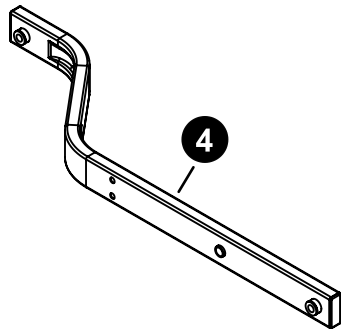
WALL BRACKET  
1A-7953-10  
QTY. 1



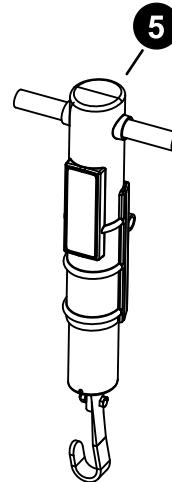
LOWER BOARD ARM ASSEMBLY, RH  
1A-7955-10  
QTY. 1



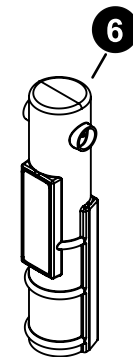
LOWER BOARD ARM ASSEMBLY, LH  
1A-7954-10  
QTY. 1



UPPER BOARD ARM ASSEMBLY  
1A-7956-10  
QTY. 2

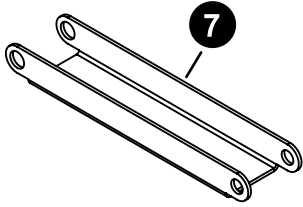


ACTUATOR  
4A-8287-00  
QTY. 1

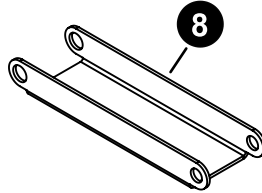


ACTUATOR COVER  
3M-9061-00  
QTY. 1  
(Pre-assembled to part #5)

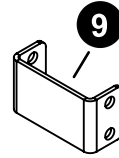
# PARTS LIST (NOT ACTUAL SIZE)



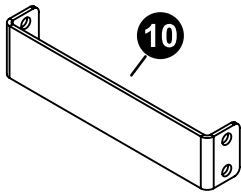
BRACE, LOWER ACTUATOR  
2S-9428-10  
QTY. 1



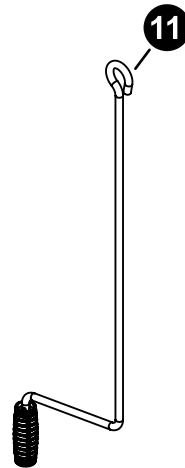
BRACE, UPPER ACTUATOR  
2S-9429-10  
QTY. 1



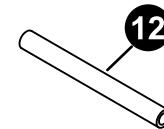
BRACE, LOWER BOARD ARM  
2S-9430-10  
QTY. 1



BRACE, UPPER BOARD ARM  
2S-9431-10  
QTY. 1

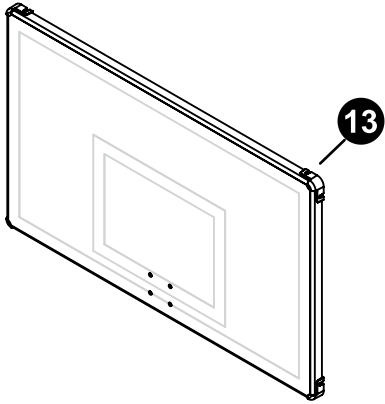


ACTUATOR CRANK ASSEMBLY  
4A-8288-00  
QTY. 1

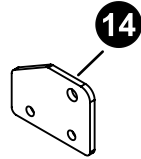


SPACER  
2S-9426-00  
QTY. 1  
(Pre-assembled to part #5)

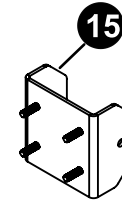
PARTS LIST (NOT ACTUAL SIZE)



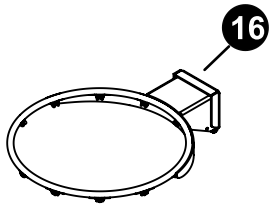
BACKBOARD ASSEMBLY, 54"  
4A-8282-10  
QTY. 1



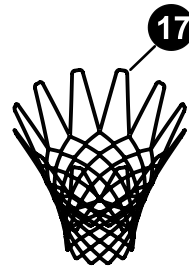
MOUNTING PLATE, BACKBOARD  
2S-9427-10  
QTY. 2



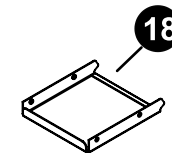
MOUNTING CHANNEL, BACKBOARD  
1A-7957-10  
QTY. 1



BREAK AWAY RIM ASSEMBLY  
4A-8283-10  
QTY. 1

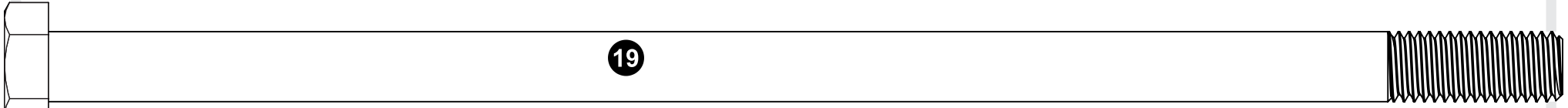


NET  
3F-6010-00  
QTY. 1

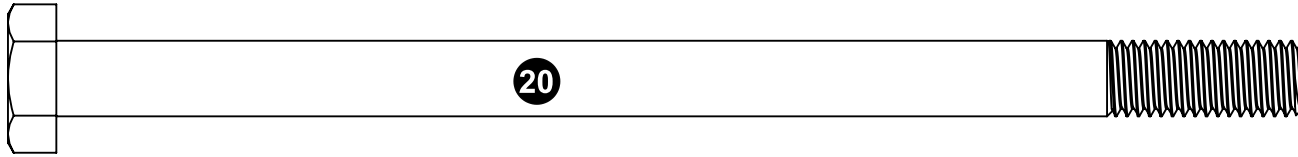


COVER PLATE  
2S-9422-10  
QTY. 1

# HARDWARE LIST (ACTUAL SIZE)



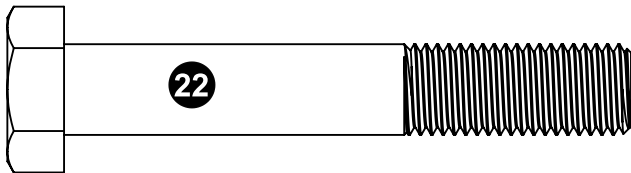
M12-1.75 X 260mm HEX HEAD BOLT  
1B-7172-00  
QTY. 1



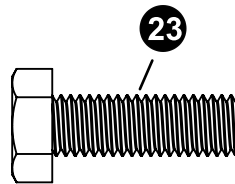
M10-1.5 X 165mm HEX HEAD BOLT  
1B-7183-00  
QTY. 1



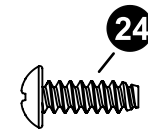
M10-1.5 X 150mm HEX HEAD BOLT  
1B-7173-00  
QTY. 1



M12-1.75 X 75mm HEX HEAD BOLT  
1B-7182-00  
QTY. 1

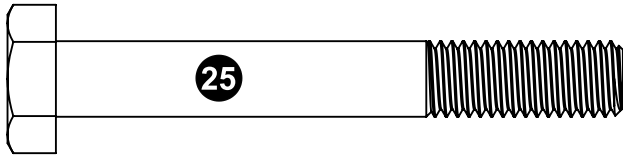


M8-1.25 X 25 HHCS  
1B-7170-00  
QTY. 4

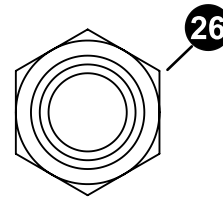


#8 X 1/2" THREAD FORMING SCREW  
1B-6238-01  
QTY. 4

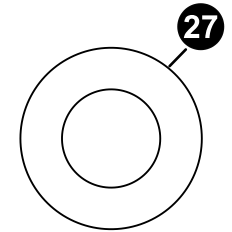
# HARDWARE LIST (ACTUAL SIZE)



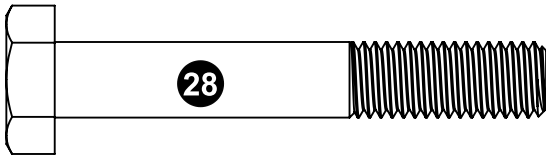
M10-1.5 X 75mm HHCS, ZINC  
1B-7181-00  
QTY. 1



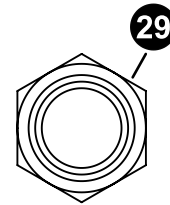
M12-1.75 HEX LOCK NUT  
2B-6805-00  
QTY. 2



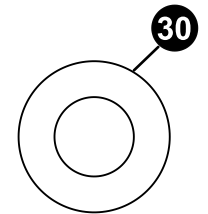
WASHER M12 X 24mm OD  
2B-6804-00  
QTY. 4



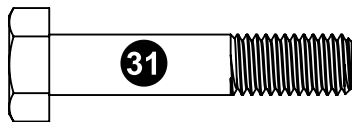
HEX HEAD BOLT M10-1.5 X 65mm  
1B-7081-00  
QTY. 4



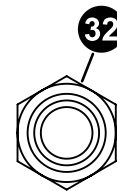
M10-1.5 HEX LOCK NUT  
2B-6801-00  
QTY. 11



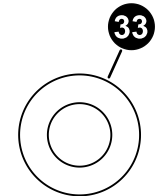
WASHER M10  
2B-6800-00  
QTY. 18



M8-1.25 X 40 HHCS ZINC  
1B-7176-00  
QTY. 8



M8-1.25 HEX LOCKNUT  
2B-6808-00  
QTY. 12



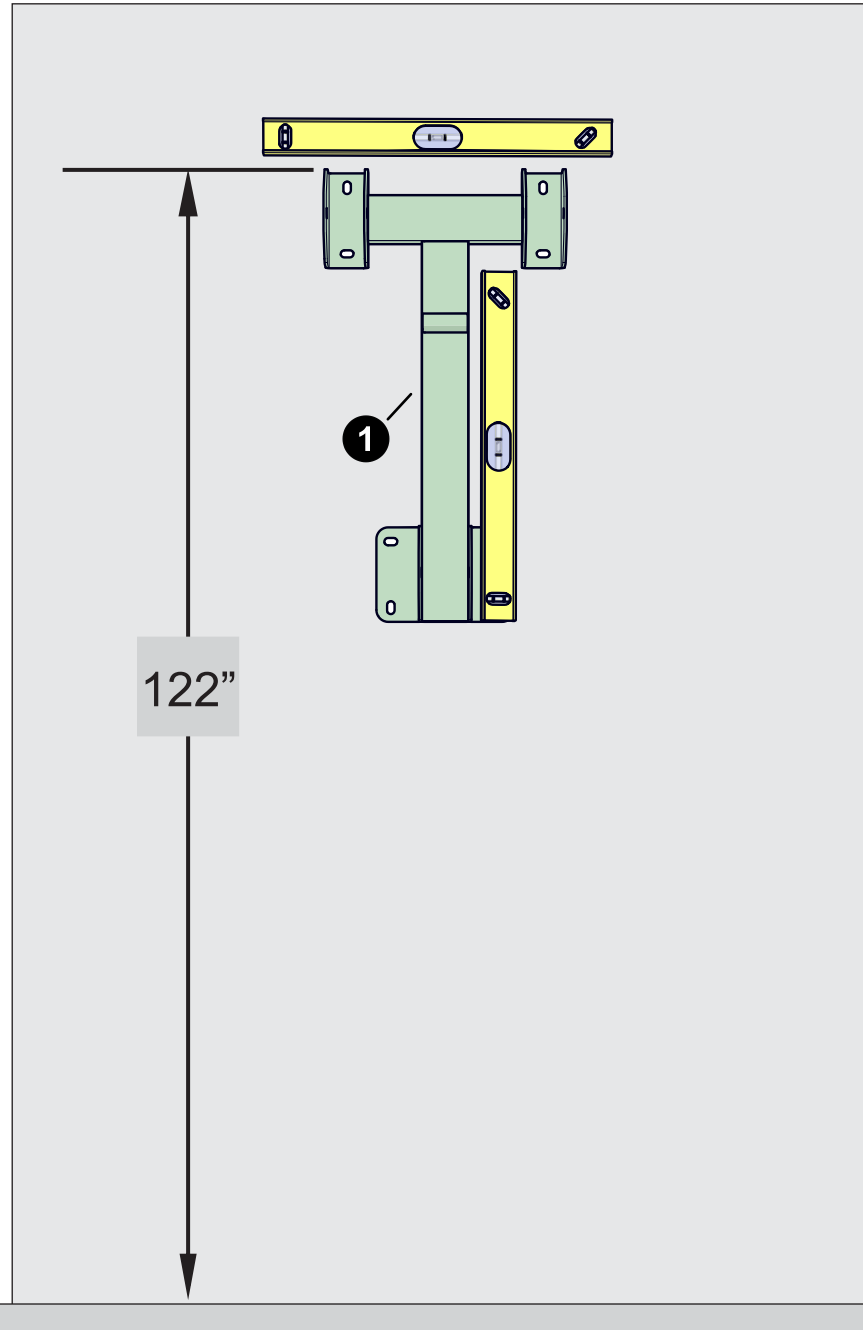
WASHER M8  
2B-6797-00  
QTY. 24

**! CAUTION !**

CONSULT A STRUCTURAL ENGINEER OR BUILDER ON THE MOUNTING OF THIS UNIT AND THE HARDWARE REQUIRED TO DO SO. AVOID ATTACHING TO ANY BRICK SURFACE OR FACADE.

**! WARNING**

MINIMUM DISTANCE SHOULD BE 122" FROM TOP OF WALL BRACKET (ITEM #1) TO PLAYING SURFACE. HOMEOWNER MUST ASSUME ALL RESPONSIBILITY FOR ANY PERSONAL OR PROPERTY DAMAGE IF BACKBOARD HEIGHT IS LOWER THAN RECOMMENDED.



## TOOLS NEEDED



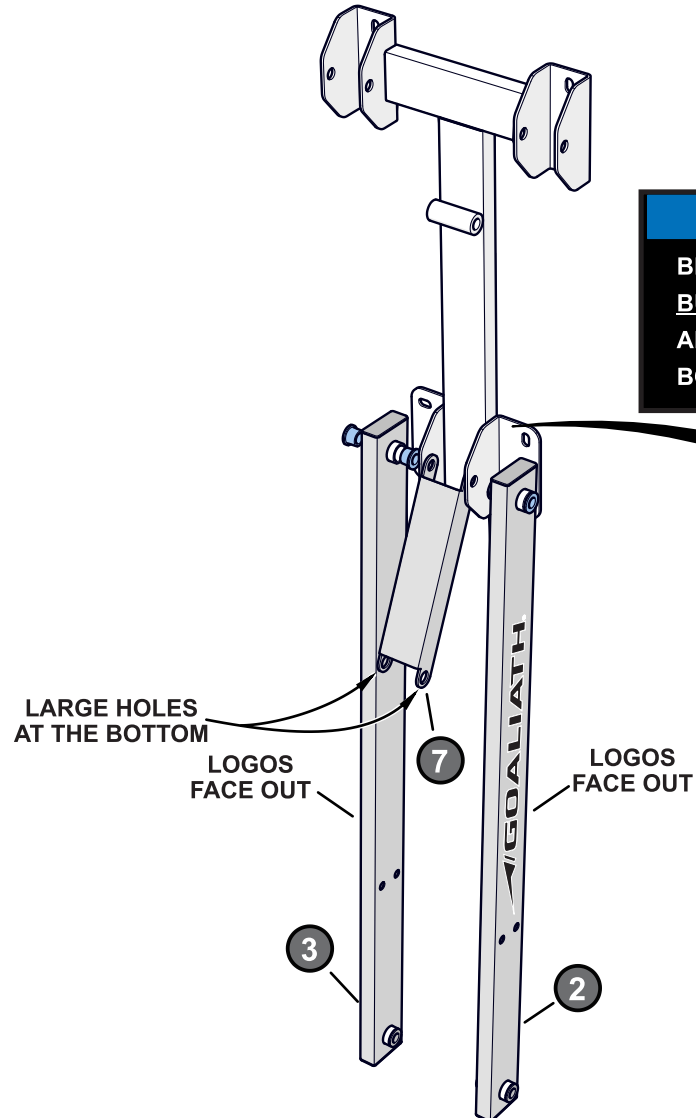
2X 8' Ladders

## ⚠ WARNING

USE EXTREME CAUTION WHEN STANDING ON LADDERS TO PERFORM ASSEMBLY STEPS. FOLLOW ALL WARNINGS AND CAUTIONS ON THE LADDER. FAILURE TO FOLLOW ALL THESE INSTRUCTIONS AND WARNINGS COULD LEAD TO SERIOUS PERSONAL INJURY OR PROPERTY DAMAGE.

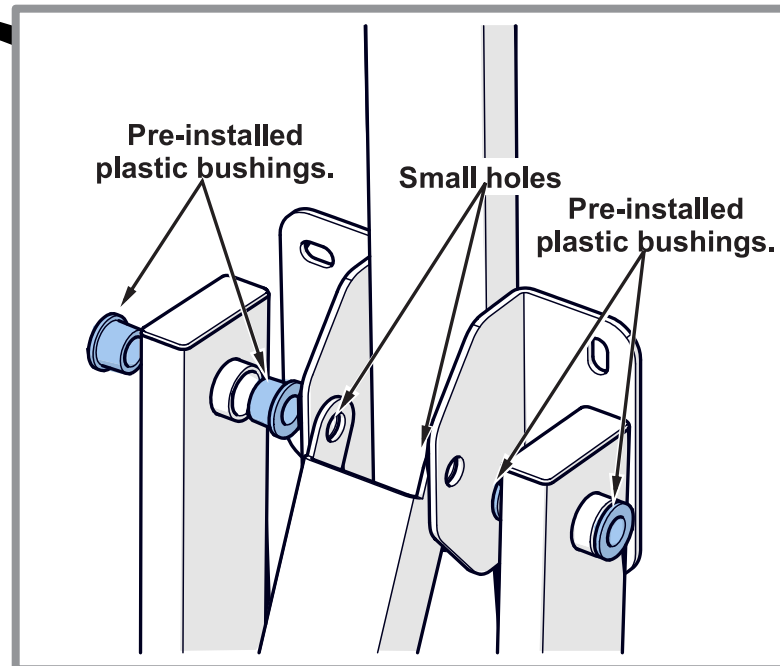
## ⚠ WARNING

USE CAUTION: ASSEMBLY IS HEAVY. TWO CAPABLE ADULTS REQUIRED FOR ASSEMBLY. FAILURE TO FOLLOW THIS WARNING COULD RESULT IN SERIOUS INJURY AND/OR PROPERTY DAMAGE.



## NOTE

BEFORE INSTALLING ARM MAKE SURE THAT THE PLASTIC BUSHINGS ARE PRE-INSTALLED IN THE METAL SLEEVE OF THE ARM AS SHOWN. IF PARTS ARE NOT PRE-ASSEMBLED OR IN THE BOX PLEASE CALL OUR CUSTOMER SERVICE DEPARTMENT.

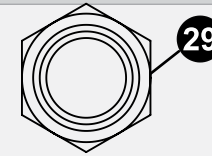




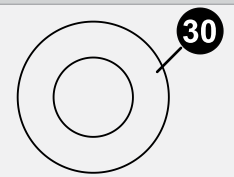
HARDWARE NEEDED (ACTUAL SIZE)



M10-1.5 X 150mm HEX HEAD BOLT  
1B-7173-00  
QTY. 1

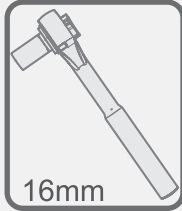
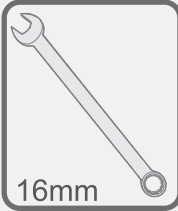


M10-1.5 HEX LOCK NUT  
2B-6801-00  
QTY. 1



WASHER M10  
2B-6800-00  
QTY. 2

TOOLS NEEDED

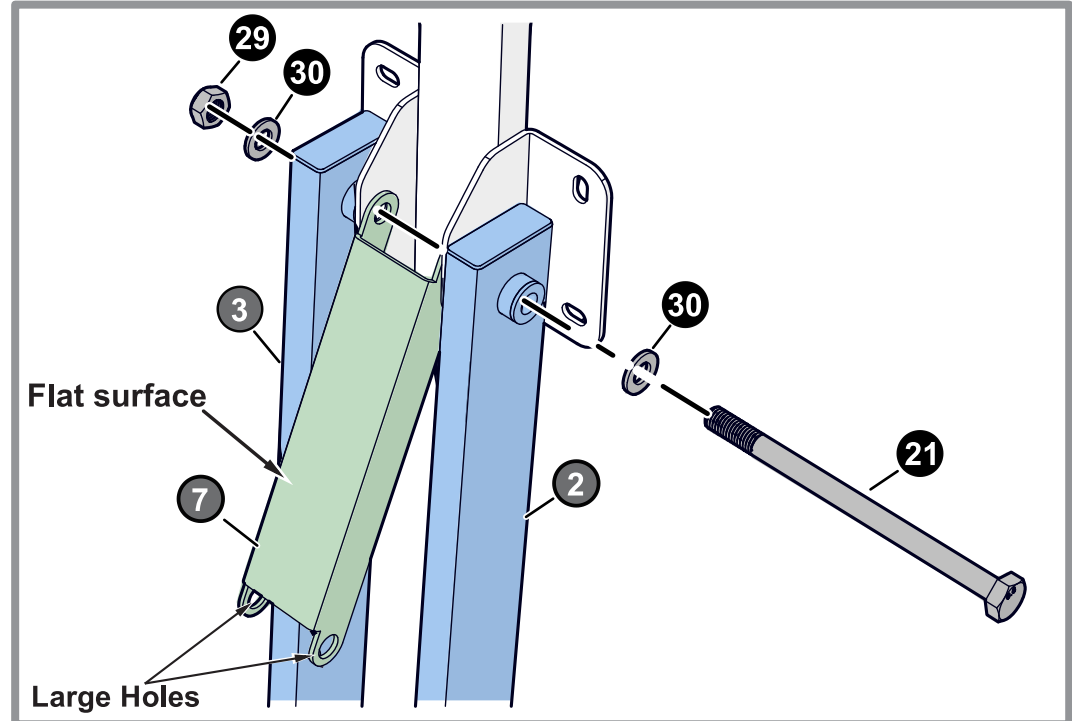
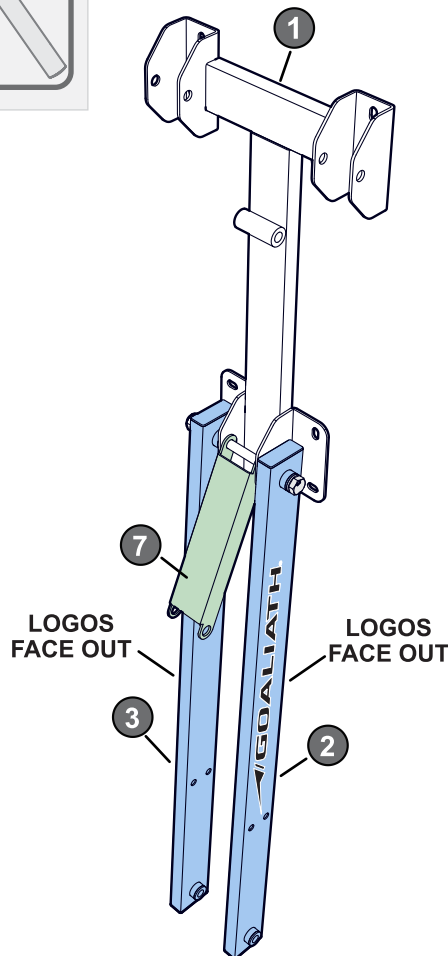


16mm

16mm

**NOTE**

**Do not fully tighten bolts & nuts on any steps until assembly is complete (unless noted).**



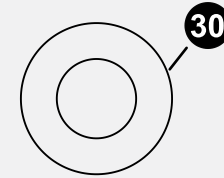
**NOTE**

**Tighten hardware about 3/4ths of the way. Leave loose enough to attach the rest of the parts.**

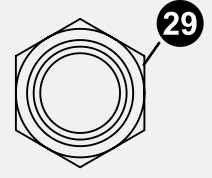
HARDWARE NEEDED (ACTUAL SIZE)



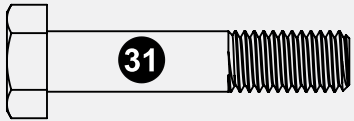
M10-1.5 X 165mm HEX HEAD BOLT  
1B-7183-00  
QTY. 1



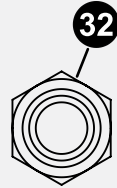
WASHER M10  
2B-6800-00  
QTY. 2



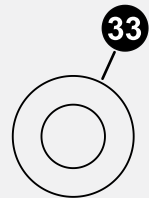
M10-1.5 HEX LOCK NUT  
2B-6801-00  
QTY. 1



M8-1.25 X 40 HHCS ZINC  
1B-7176-00  
QTY. 4

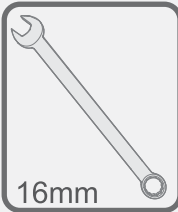


M8-1.25 HEX LOCKNUT  
2B-6808-00  
QTY. 4

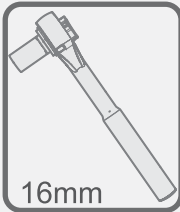


WASHER M8  
2B-6797-00  
QTY. 8

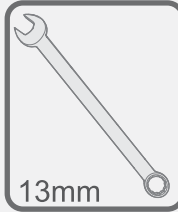
TOOLS NEEDED



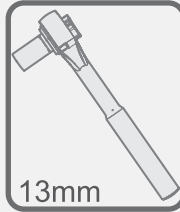
16mm



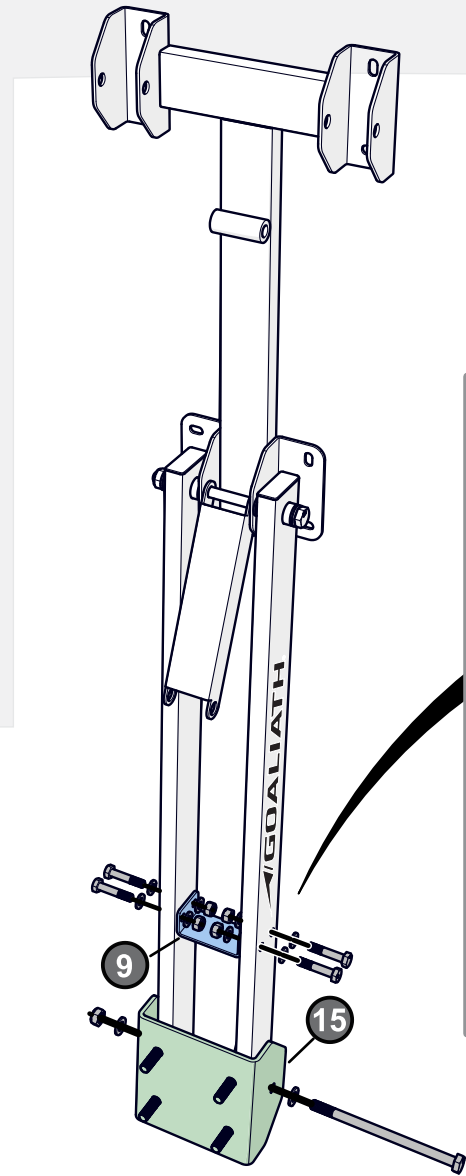
16mm



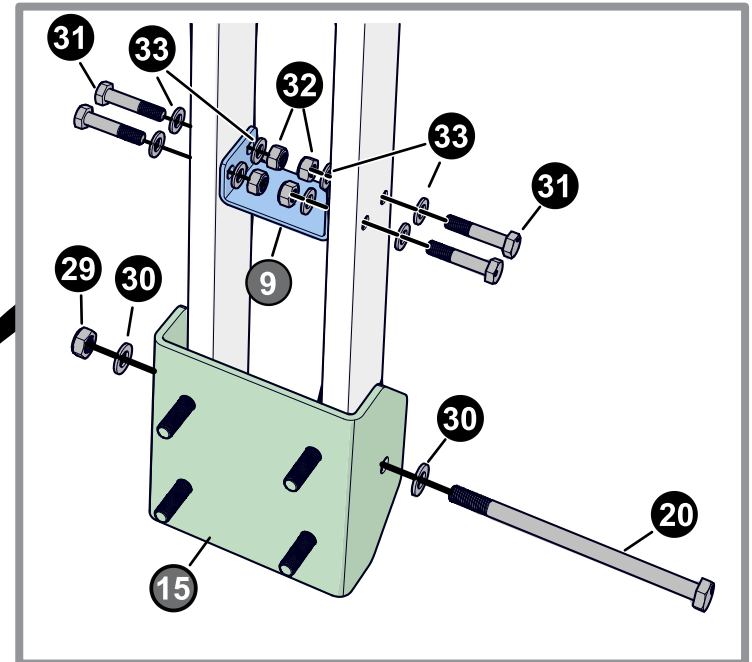
13mm



13mm



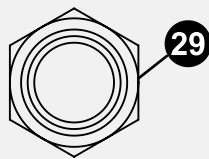
**NOTE**  
Tighten hardware about 3/4ths of the way. Leave loose enough to attach the rest of the parts.



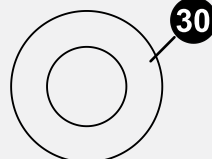
**HARDWARE NEEDED (ACTUAL SIZE)**



M10-1.5 X 75mm HHCS, ZINC  
1B-7181-00  
QTY. 1

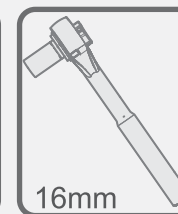


M10-1.5 HEX LOCK NUT  
2B-6801-00  
QTY. 1



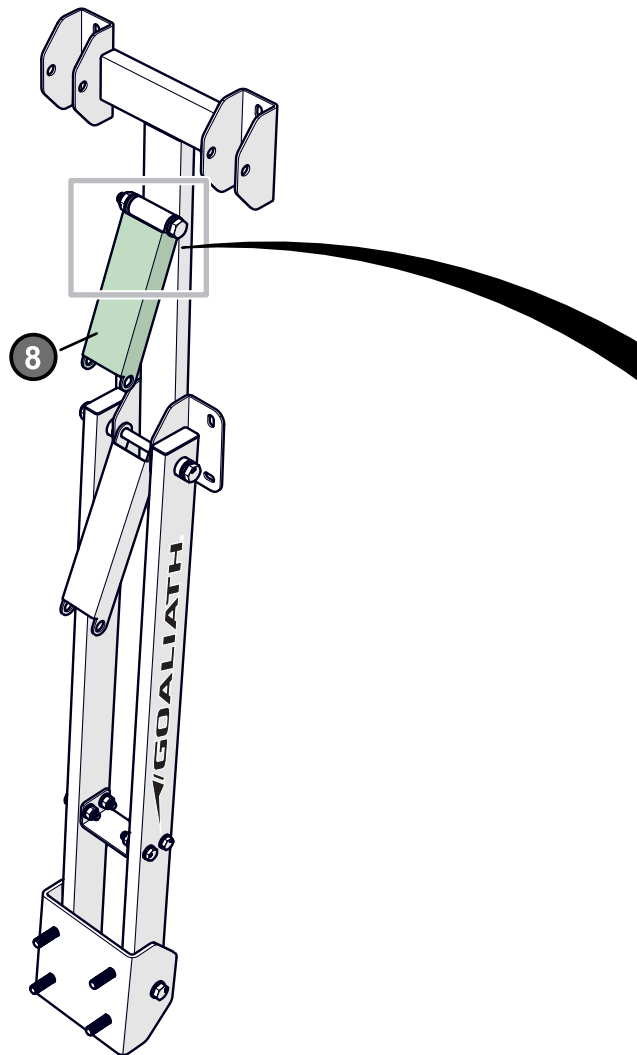
WASHER M10  
2B-6800-00  
QTY. 2

**TOOLS NEEDED**



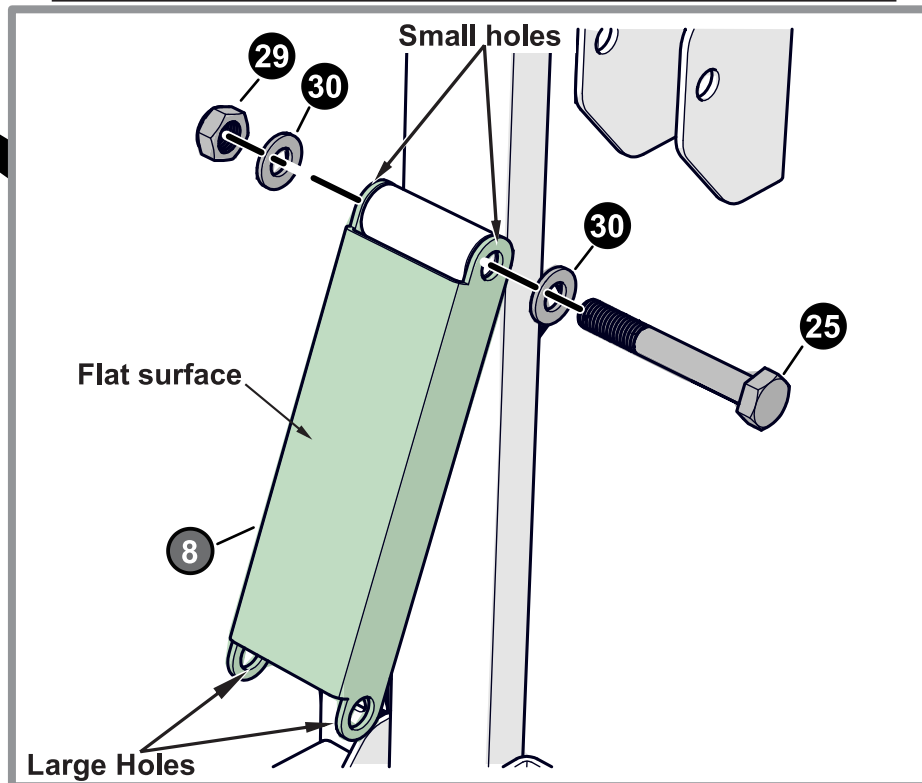
16mm

16mm



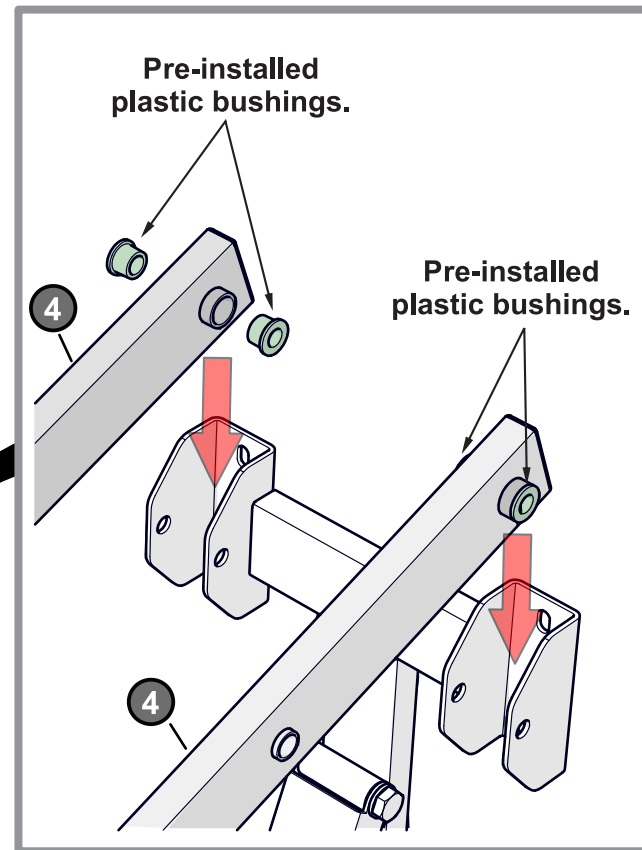
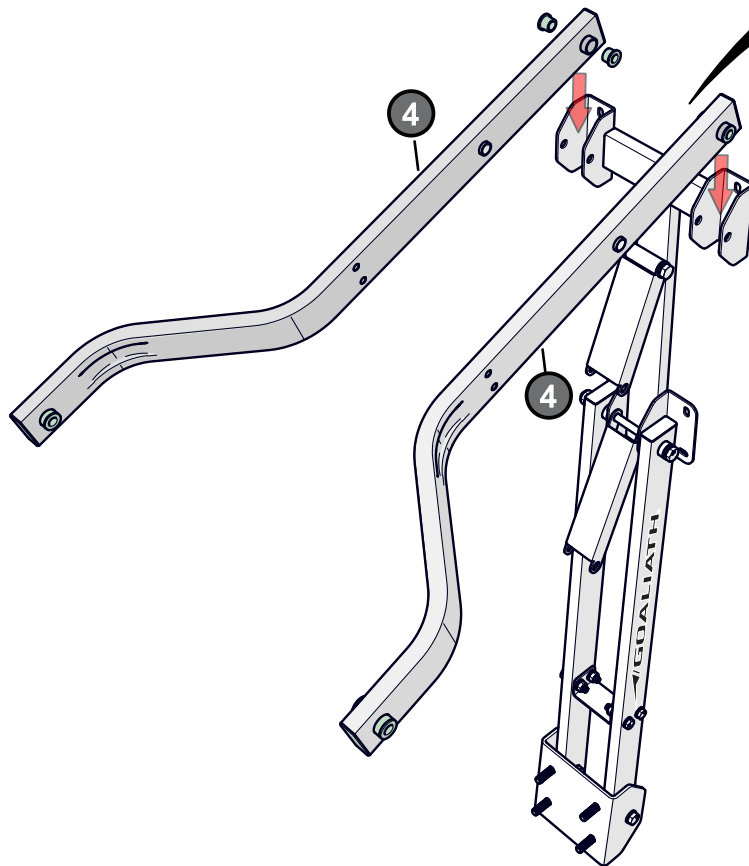
**NOTE**

**Tighten hardware about 3/4ths of the way. Leave loose enough to attach the rest of the parts.**

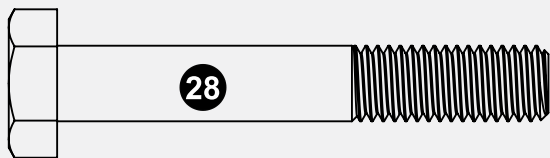


## NOTE

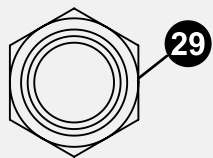
BEFORE INSTALLING ARM MAKE SURE THAT THE PLASTIC BUSHINGS ARE PRE-INSTALLED IN THE METAL SLEEVE OF THE ARM AS SHOWN. IF PARTS ARE NOT PRE-ASSEMBLED OR IN THE BOX PLEASE CALL OUR CUSTOMER SERVICE DEPARTMENT.



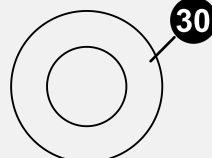
### HARDWARE NEEDED (ACTUAL SIZE)



HEX HEAD BOLT M10-1.5 X 65mm  
1B-7081-00  
QTY. 2

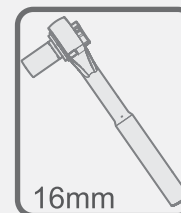
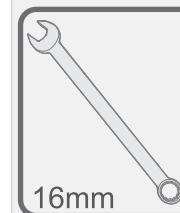


M10-1.5 HEX LOCK NUT  
2B-6801-00  
QTY. 2



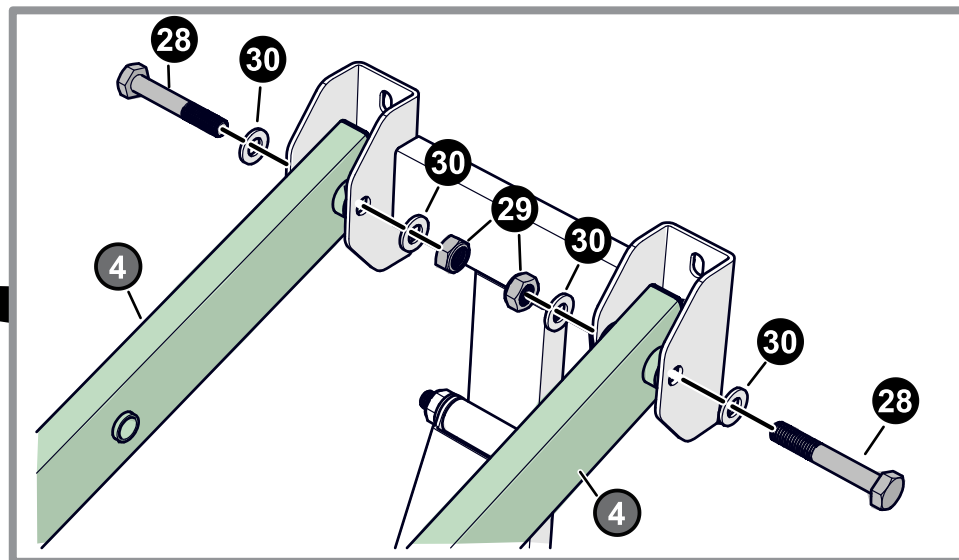
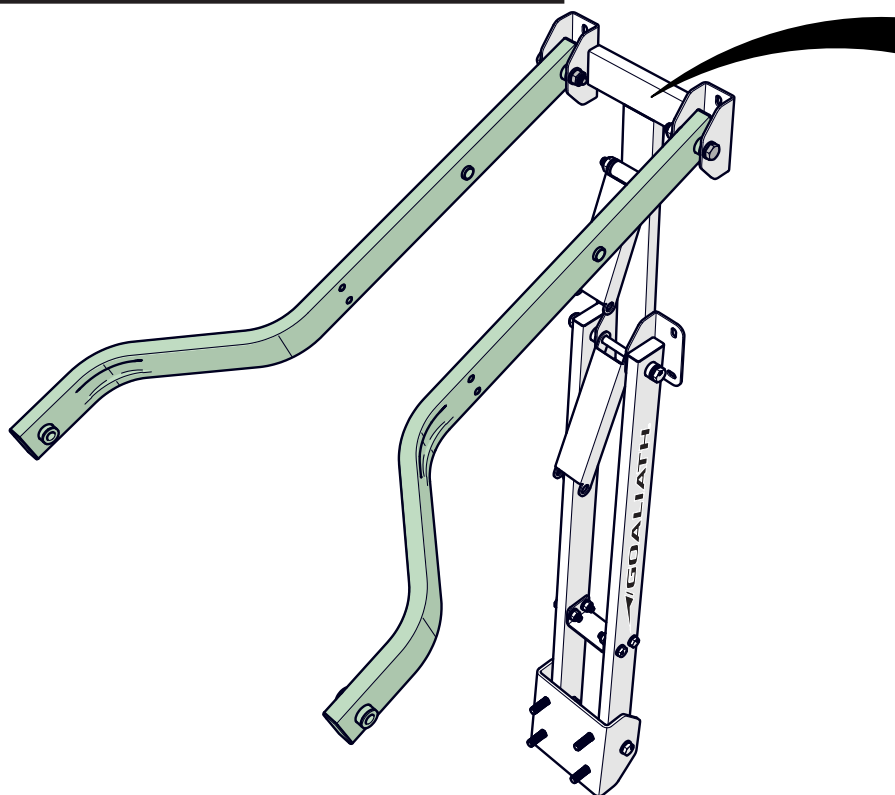
WASHER M10  
2B-6800-00  
QTY. 4

### TOOLS NEEDED

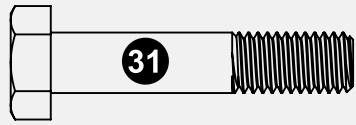


### NOTE

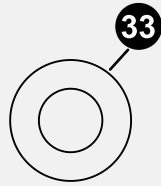
Tighten hardware about 3/4ths of the way. Leave loose enough to attach the rest of the parts.



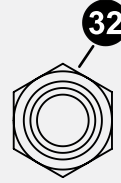
### HARDWARE NEEDED (ACTUAL SIZE)



M8-1.25 X 40 HHCS ZINC  
1B-7176-00  
QTY. 4

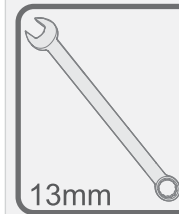


WASHER M8  
2B-6797-00  
QTY. 8

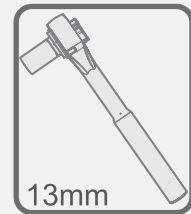


M8-1.25 HEX LOCKNUT  
2B-6808-00  
QTY. 4

### TOOLS NEEDED



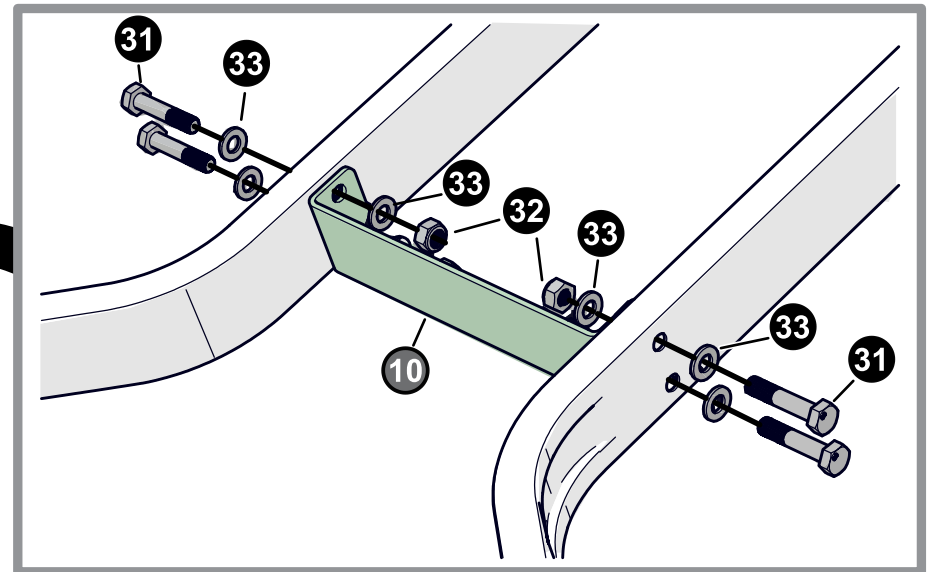
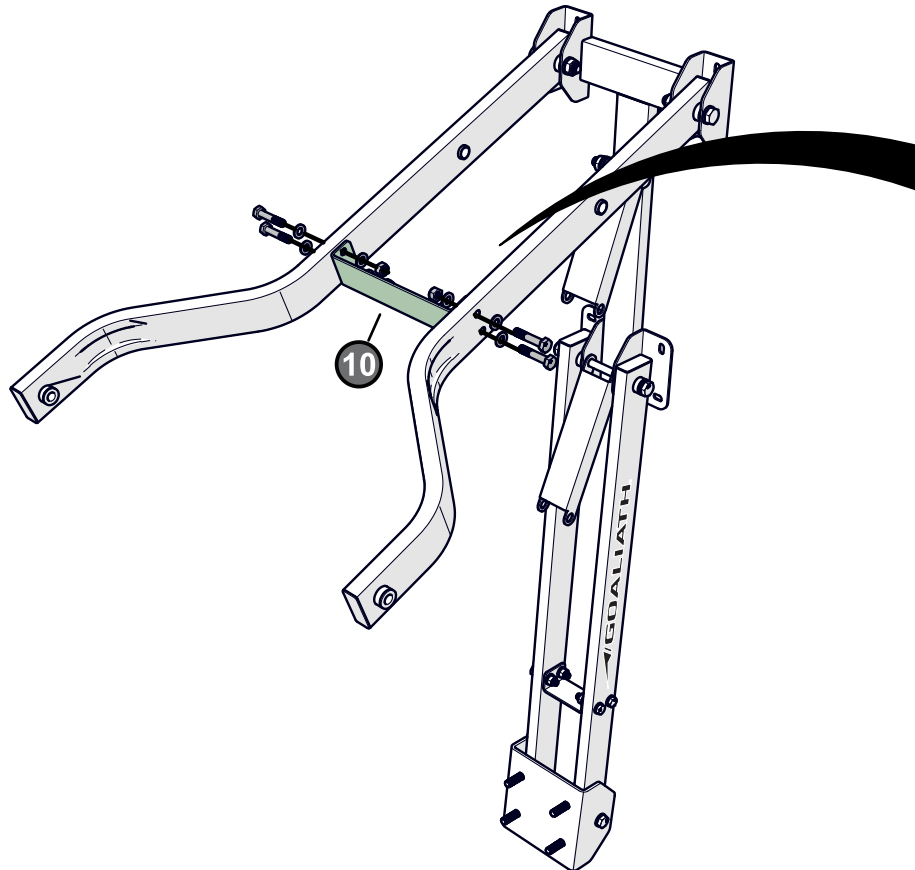
13mm



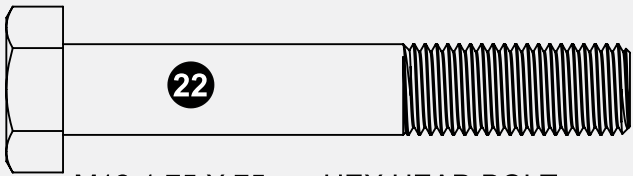
13mm

### NOTE

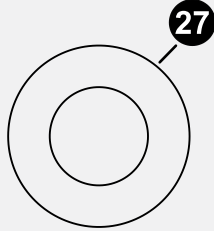
Tighten hardware about 3/4ths of the way. Leave loose enough to attach the rest of the parts.



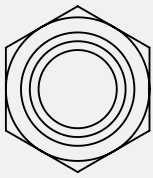
### HARDWARE NEEDED (ACTUAL SIZE)



M12-1.75 X 75mm HEX HEAD BOLT  
1B-7182-00  
QTY. 1

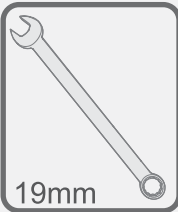


WASHER M12 X 24mm OD  
2B-6804-00  
QTY. 2

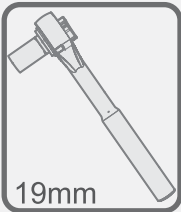


M12-1.75 HEX LOCK NUT  
2B-6805-00  
QTY. 1

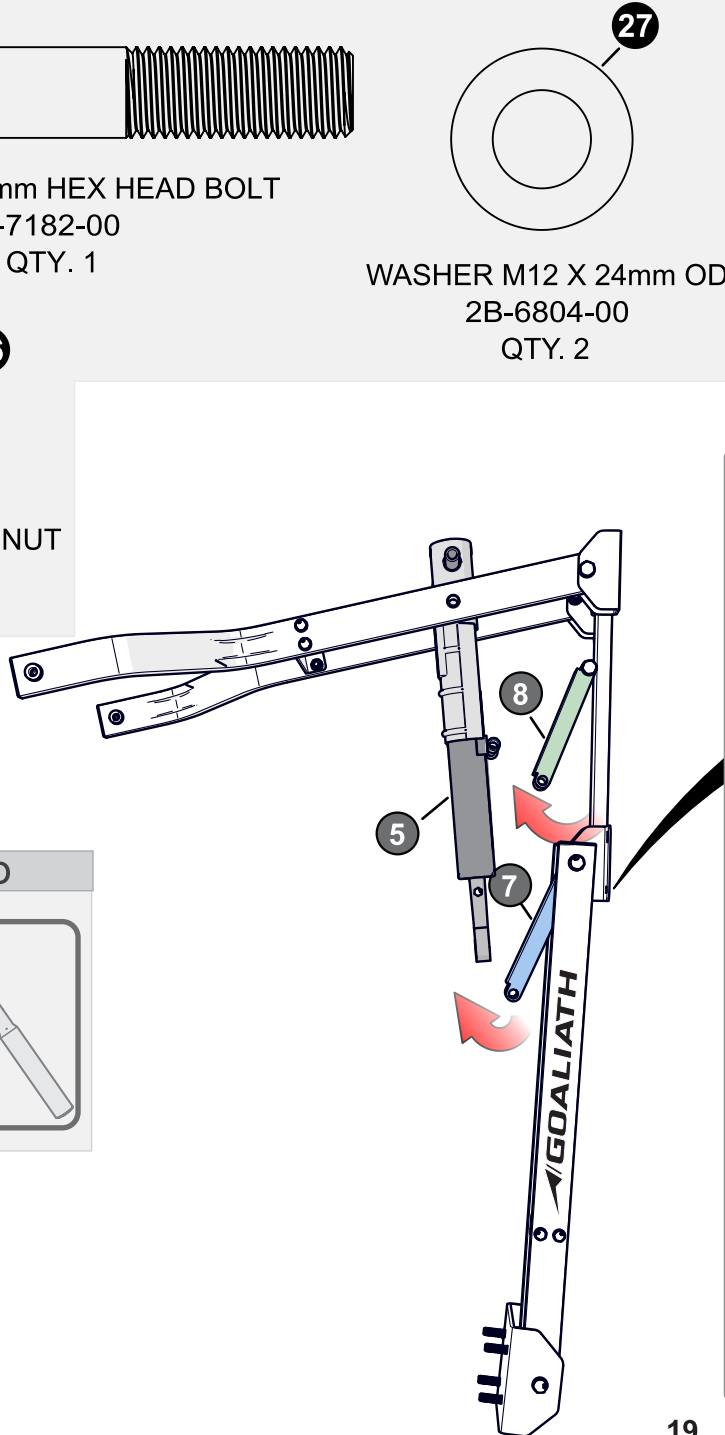
### TOOLS NEEDED



19mm



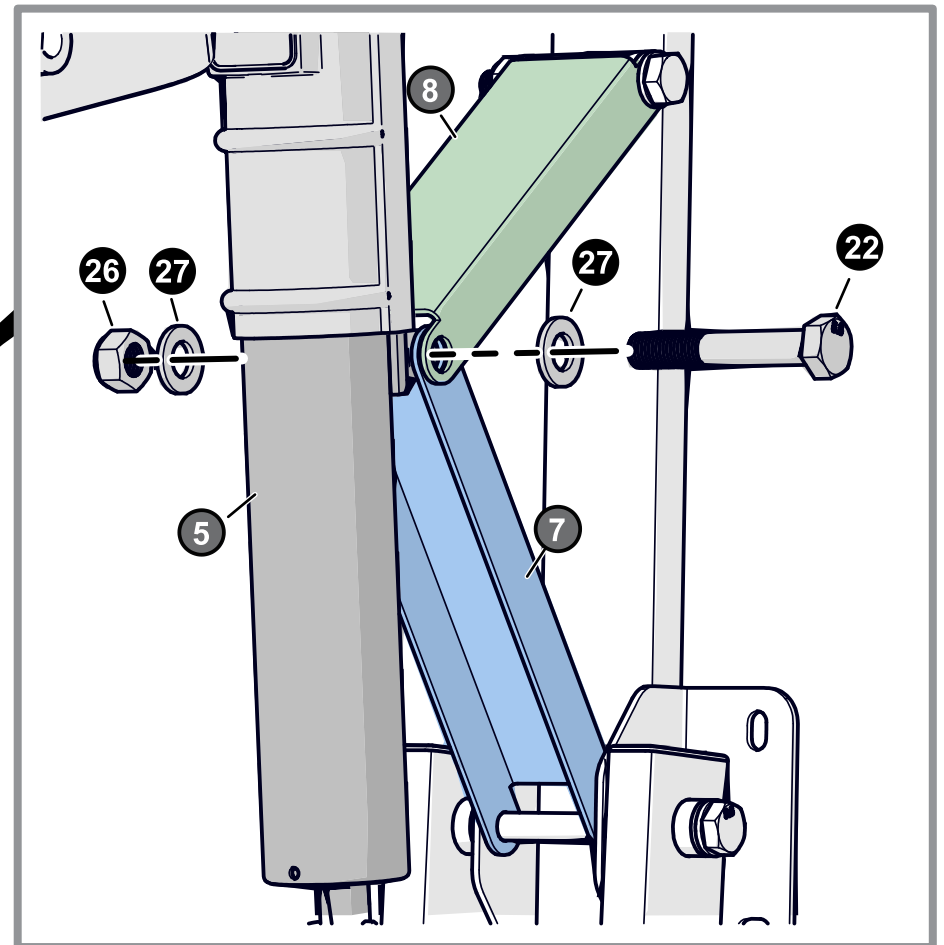
19mm



THE FOLLOWING STEPS REQUIRE 2 PEOPLE.

### NOTE

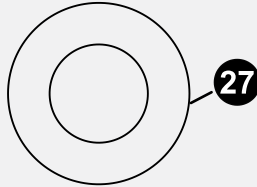
Rotate the **Upper & Lower Actuator braces** in position and have second person hold **Actuator** in place as shown. Attach Actuator to both brackets and tighten hardware about 3/4ths of the way. Leave loose enough to attach additional parts in later steps.



HARDWARE NEEDED (ACTUAL SIZE)

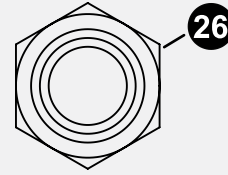
19

M12-1.75 X 260mm HEX HEAD BOLT  
1B-7172-00  
QTY. 1



27

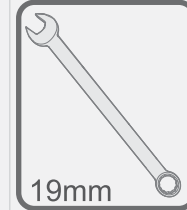
M12-1.75 HEX LOCK NUT  
2B-6805-00  
QTY. 2



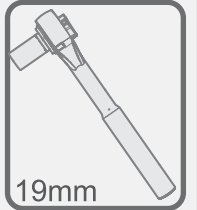
26

WASHER M12 X 24mm OD  
2B-6804-00  
QTY. 1

TOOLS NEEDED



19mm



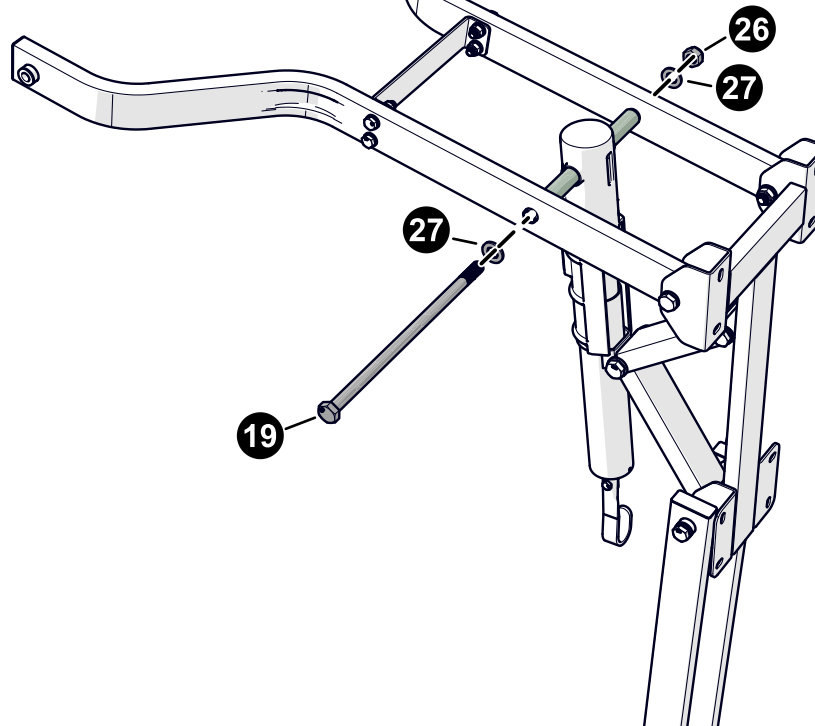
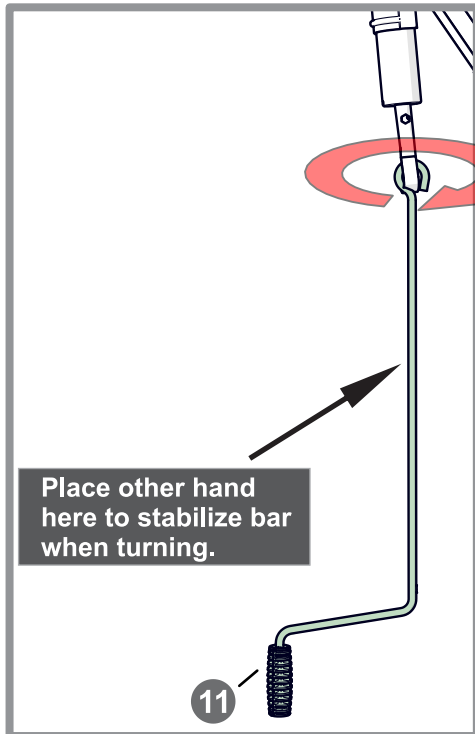
19mm

**NOTE**

If needed use the Actuator handle (#11) to rotate the actuator so it lines up with the holes in the upper board arms.

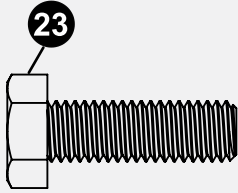
**NOTE**

Tighten hardware about 3/4ths of the way. Leave loose enough to attach the rest of the parts.

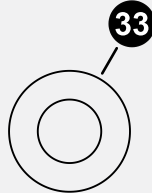




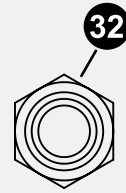
### HARDWARE NEEDED (ACTUAL SIZE)



M8-1.25 X 25 HHCS  
1B-7170-00  
QTY. 4

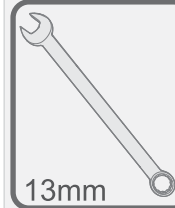


WASHER M8  
2B-6797-00  
QTY. 8



M8-1.25 HEX LOCKNUT  
2B-6808-00  
QTY. 4

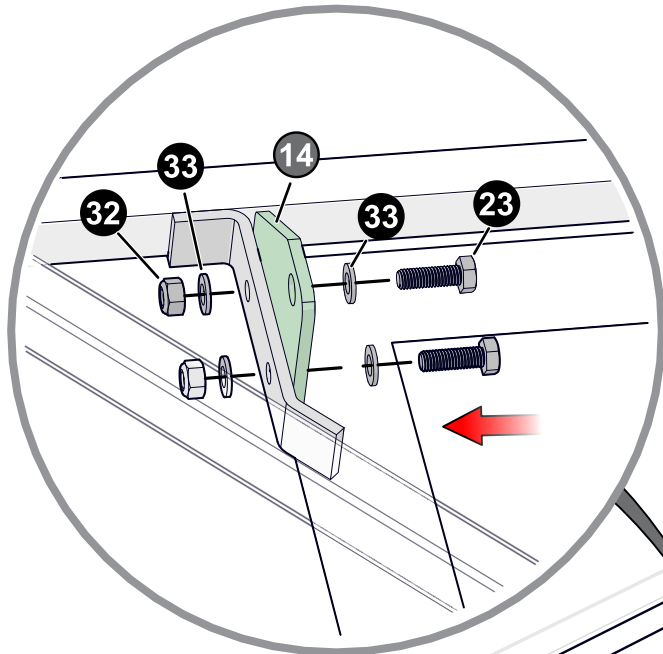
### TOOLS NEEDED



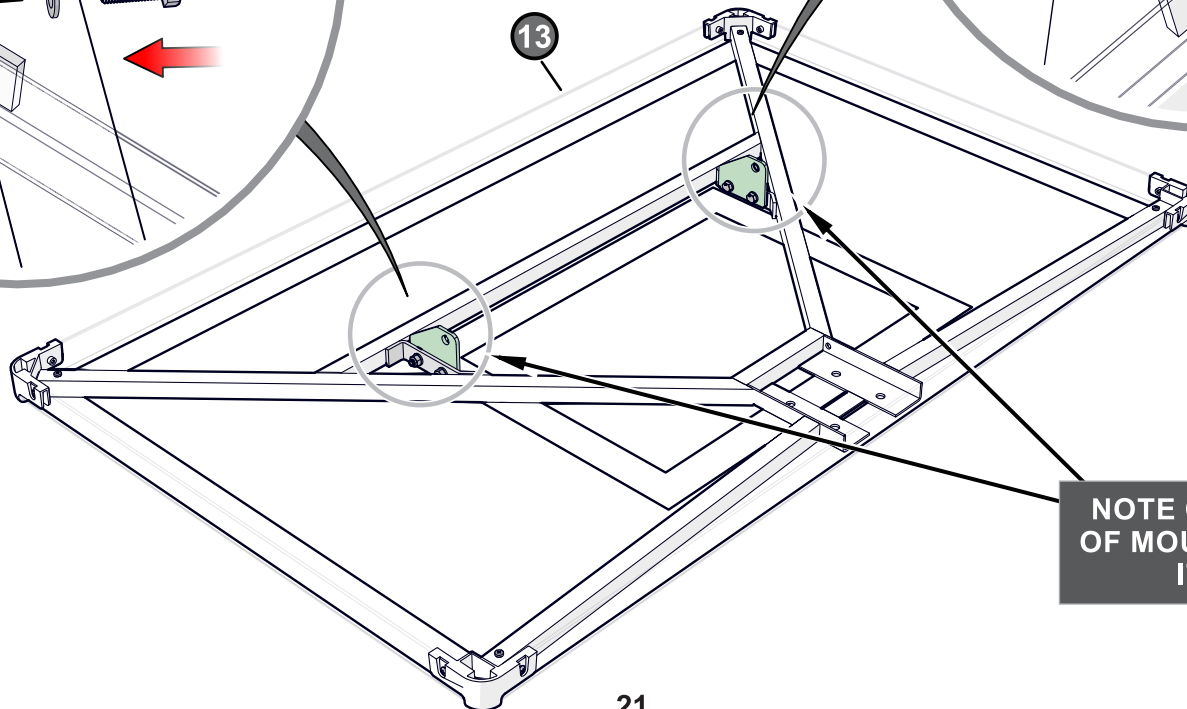
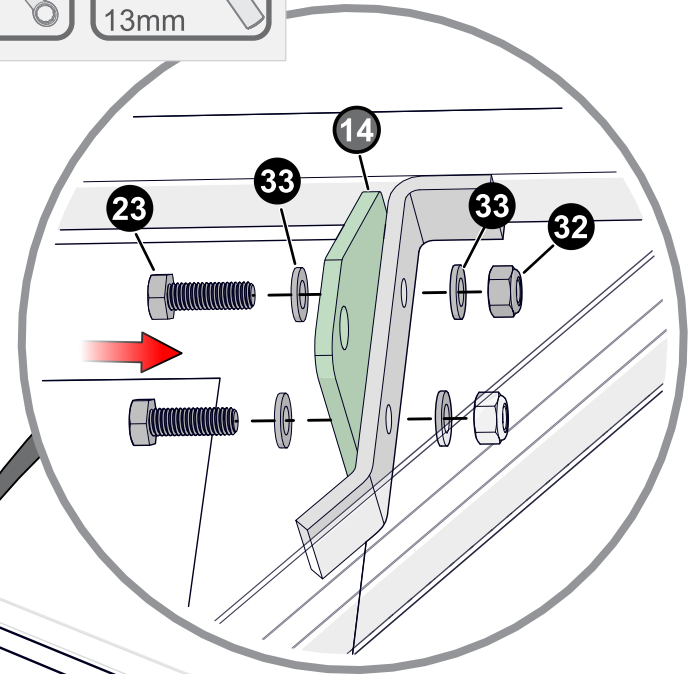
13mm



13mm



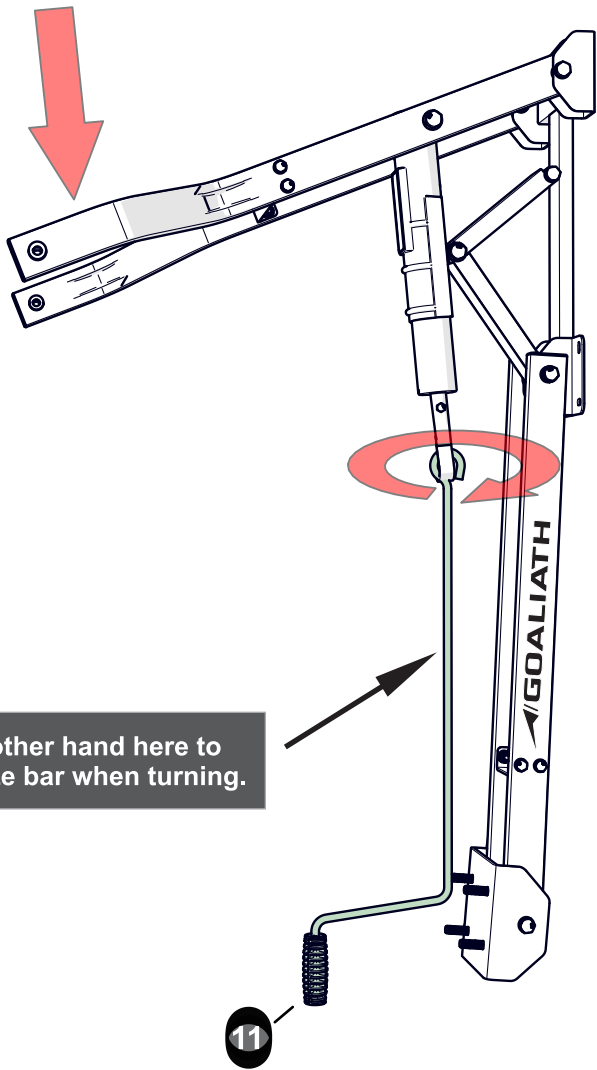
**NOTE**  
MAKE SURE HEAD OF BOLTS ARE ASSEMBLED ON THE INSIDE OF THE BRACKET AS SHOWN IN THE DETAIL VIEWS. FULLY TIGHTEN THIS HARDWARE UNTIL SECURE.



**NOTE ORIENTATION OF MOUNTING PLATE ITEM #14**

**NOTE**  
LOWER UPPER BOARD ARMS BY TURNING THE ACTUATOR CLOCK WISE UNTIL THE ARMS ARE BELOW PARALLEL TO PLAYING SURFACE AS SHOWN.

Place other hand here to stabilize bar when turning.



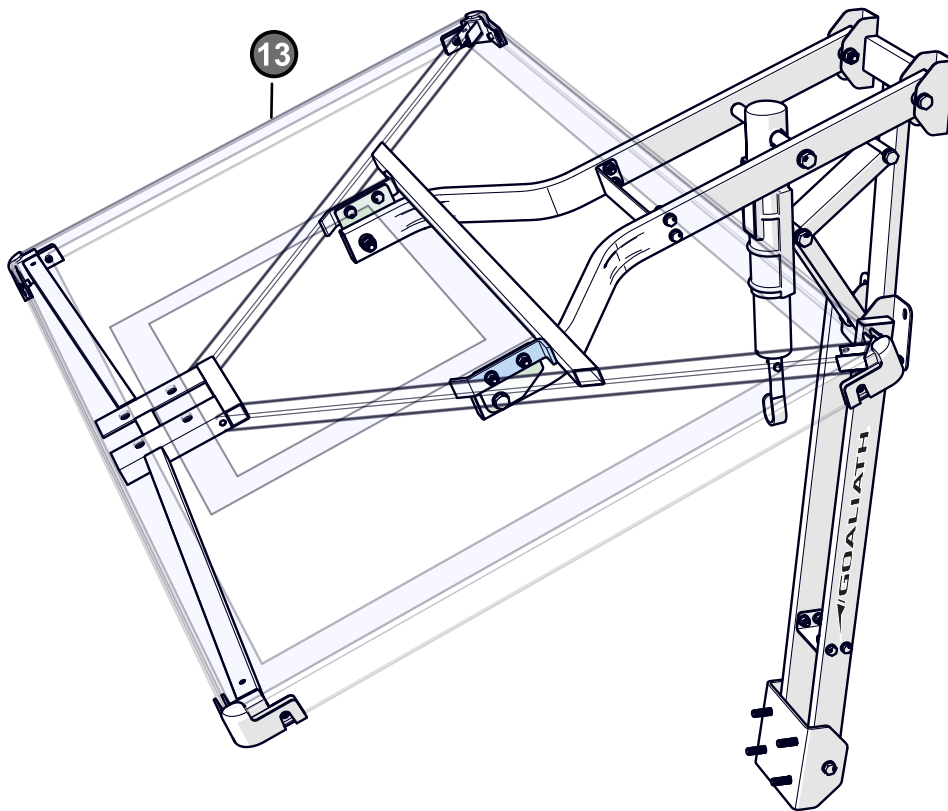
THE FOLLOWING STEPS REQUIRE 2 PEOPLE.

## **WARNING**

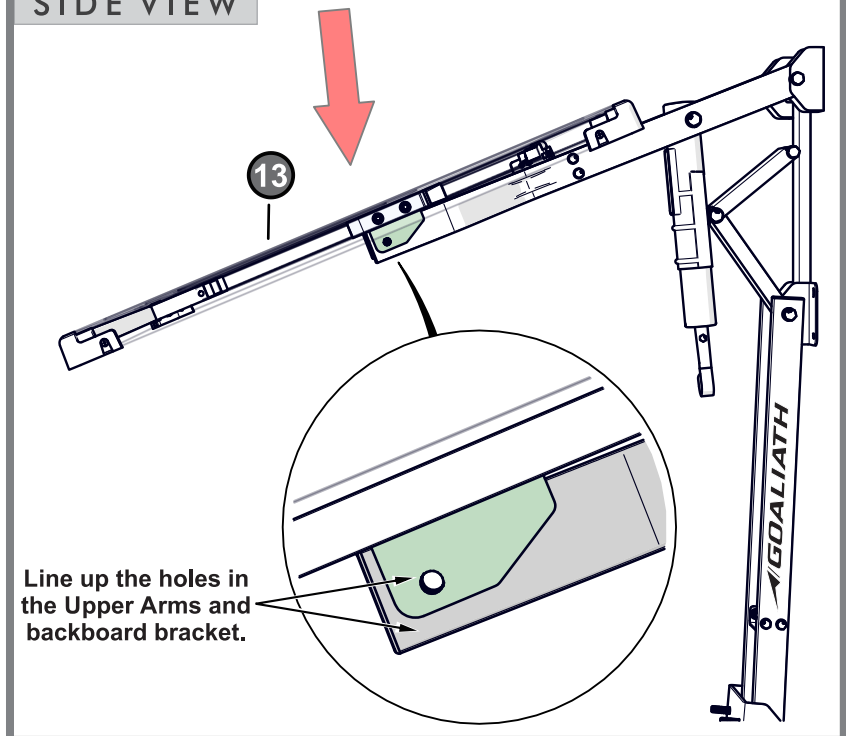
USE EXTREME CAUTION WHEN STANDING ON LADDERS TO PERFORM ASSEMBLY STEPS. FOLLOW ALL WARNINGS AND CAUTIONS ON THE LADDER. FAILURE TO FOLLOW ALL THESE INSTRUCTIONS AND WARNINGS COULD LEAD TO SERIOUS PERSONAL INJURY OR PROPERTY DAMAGE.

## **NOTE**

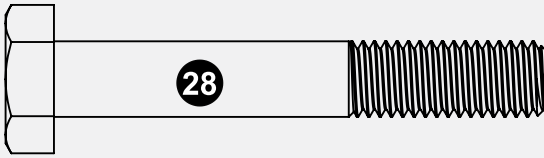
Rest the **backboard** (#13) on the board arms to support the weight of backboard. Slide the backboard until the holes line up on the backboard bracket and the upper arms as shown. Proceed to next step immediately do not leave backboard unattended with out securing.



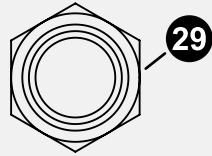
### SIDE VIEW



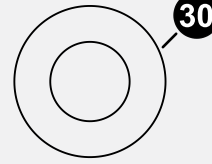
**HARDWARE NEEDED (ACTUAL SIZE)**



HEX HEAD BOLT M10-1.5 X 65mm  
1B-7081-00  
QTY. 2

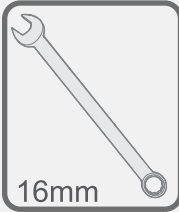


M10-1.5 HEX LOCK NUT  
2B-6801-00  
QTY. 2

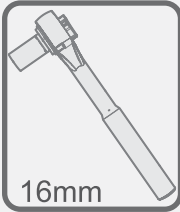


WASHER M10  
2B-6800-00  
QTY. 4

**TOOLS NEEDED**

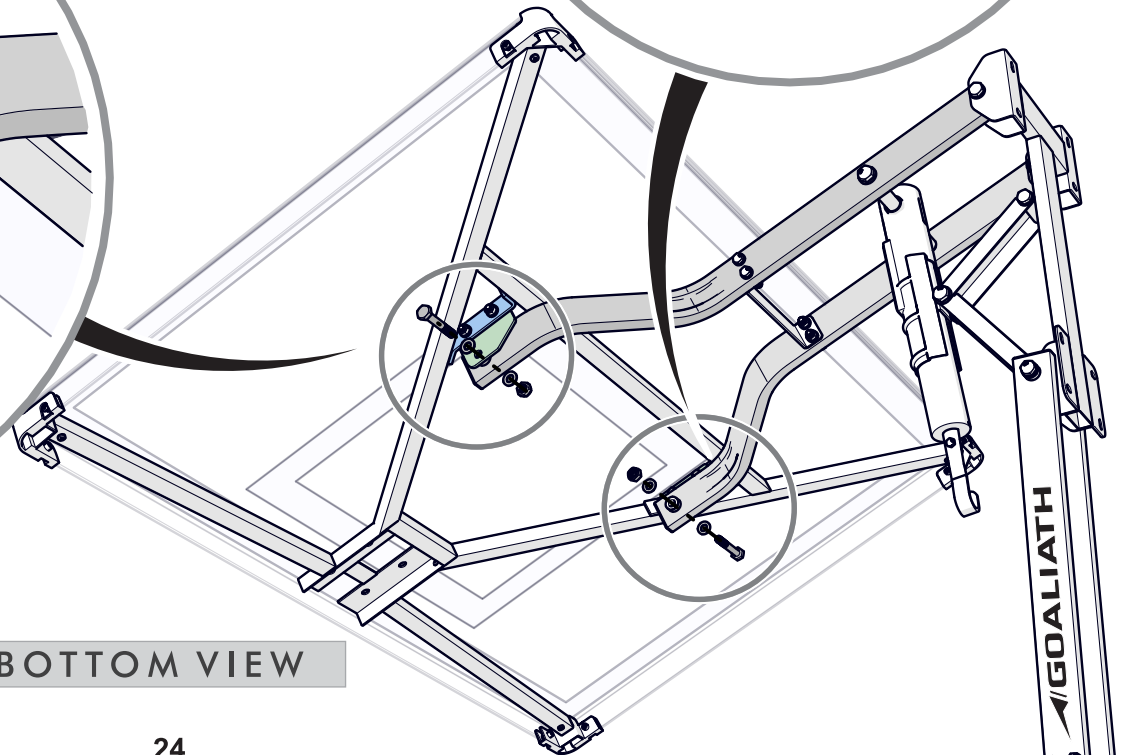
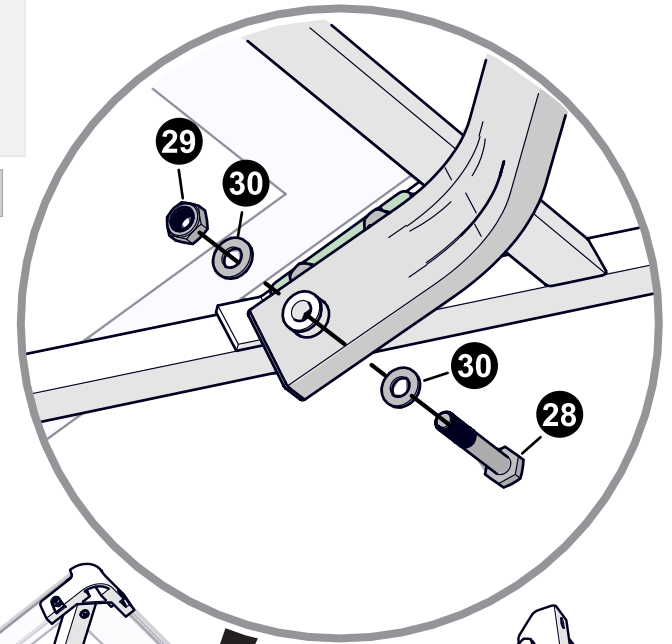
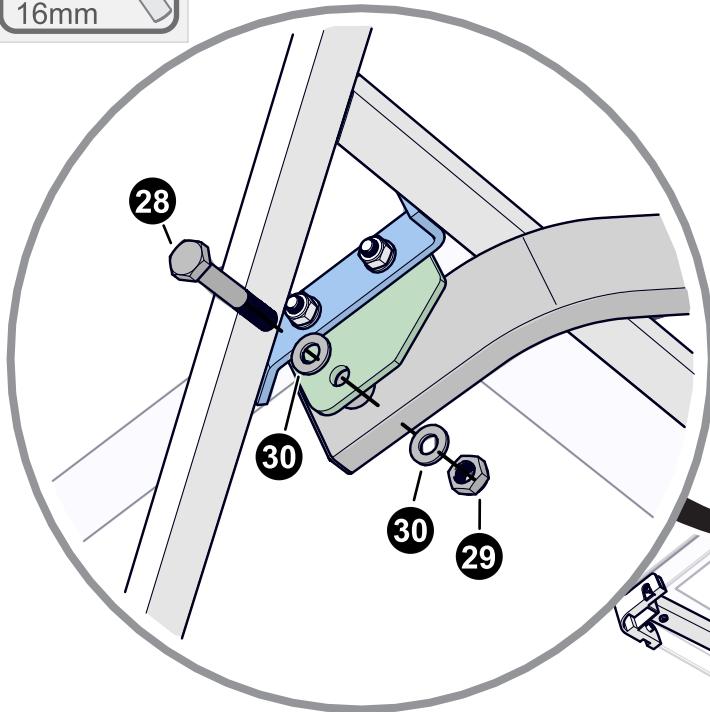


16mm



16mm

**THE FOLLOWING STEPS REQUIRE 2 PEOPLE.**



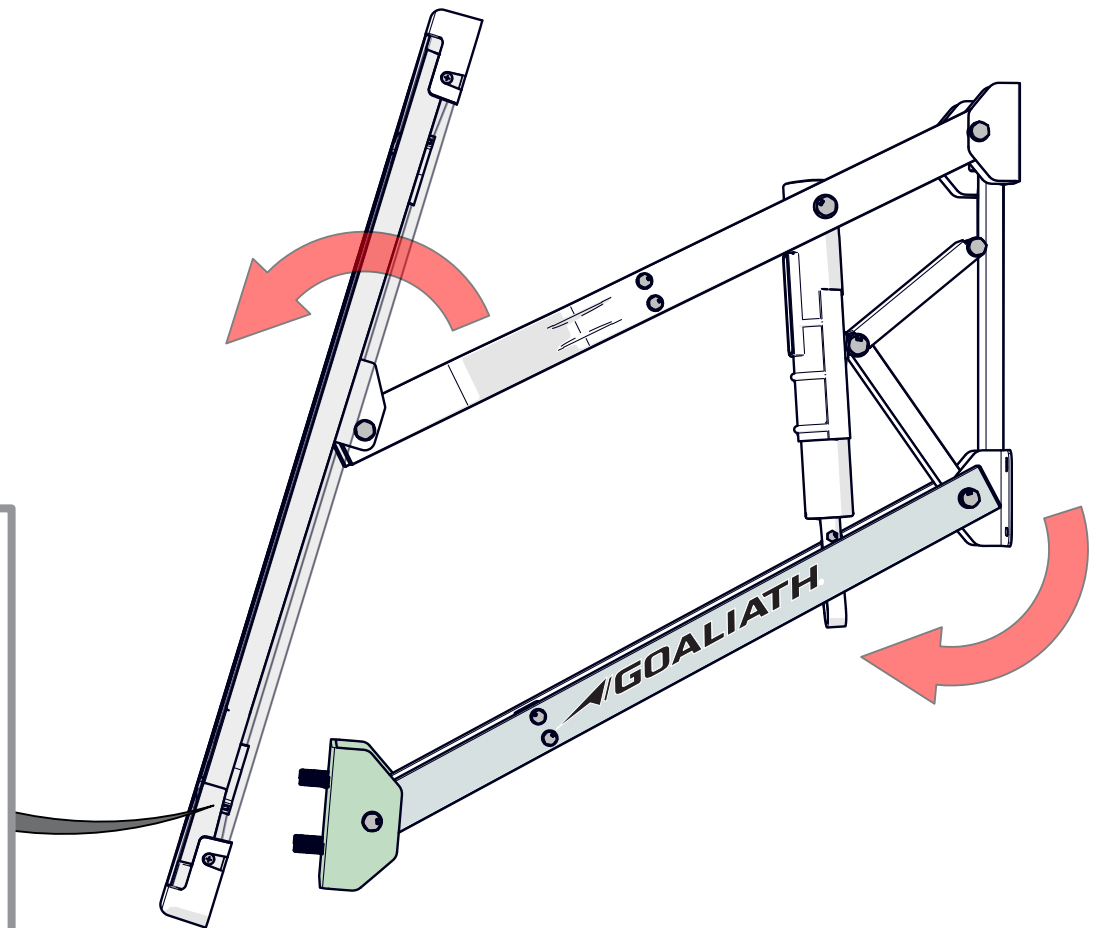
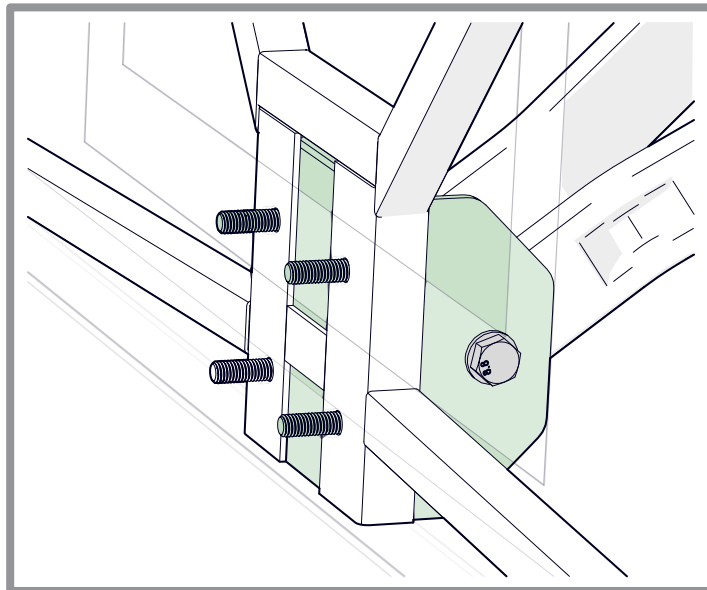
**NOTE**

WHILE HOLDING THE BACKBOARD IN PLACE HAVE A HELPER ASSEMBLE THE UPPER BOARD ARMS TO BACKBOARD MOUNTING PLATES AS SHOWN. ARMS GO ON THE INSIDE OF BRACKETS.

**BOTTOM VIEW**

**NOTE**

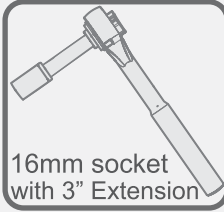
ROTATE THE LOWER ARMS UP AND THEN ROTATE  
BACKBOARD DOWN ONTO THREADED STUDS EXTENDING  
FROM BACKBOARD MOUNTING CHANNEL.



**TOOLS NEEDED**



Phillips



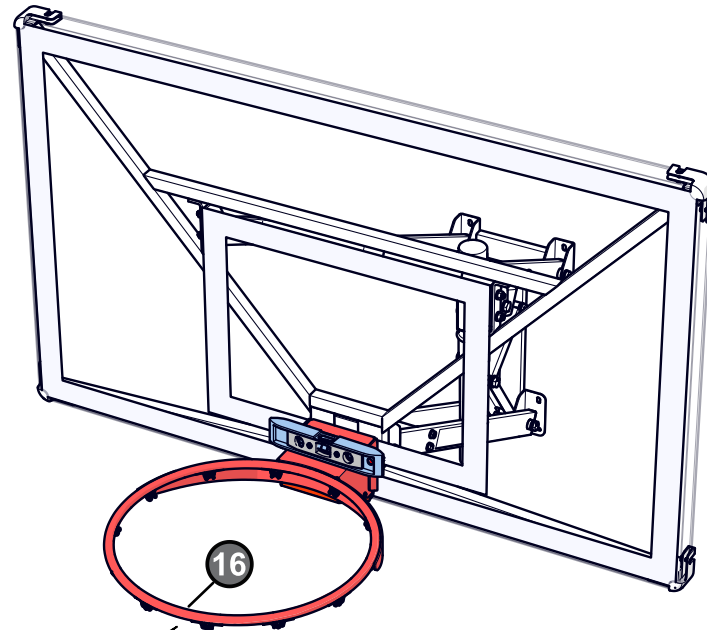
16mm socket with 3" Extension

**NOTE**

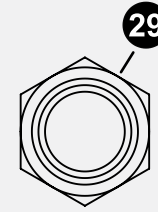
TAKE PROTECTIVE COATING OFF THE BACKBOARD BEFORE ATTACHING THE RIM. LEVEL RIM AND FULLY TIGHTEN THE HARDWARE.

**CAUTION**

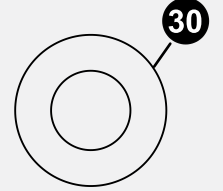
NEVER USE RIM WITH COVERPLATE REMOVED!



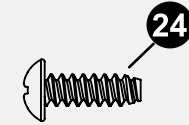
**HARDWARE NEEDED (ACTUAL SIZE)**



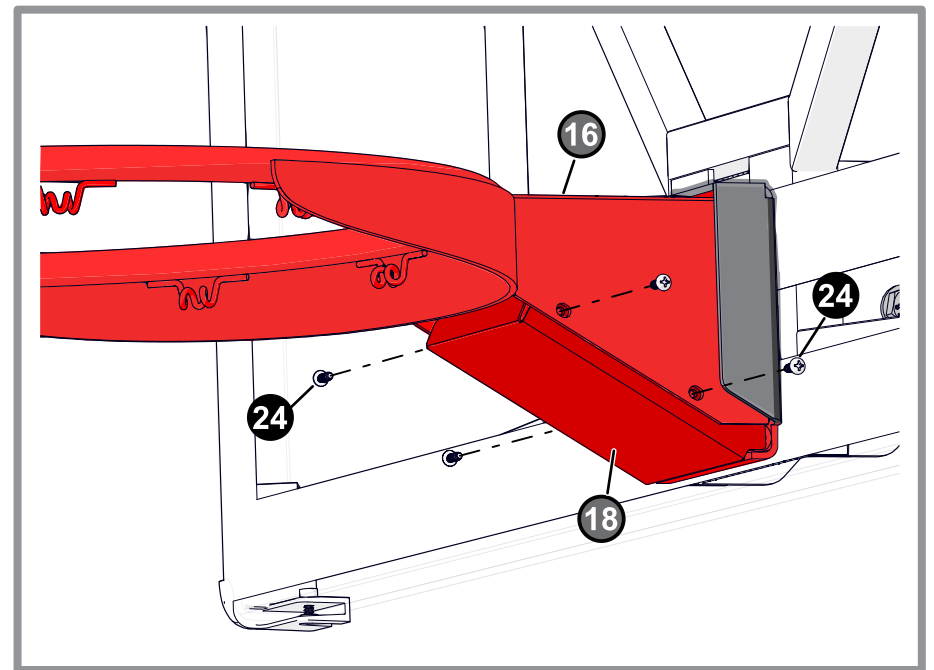
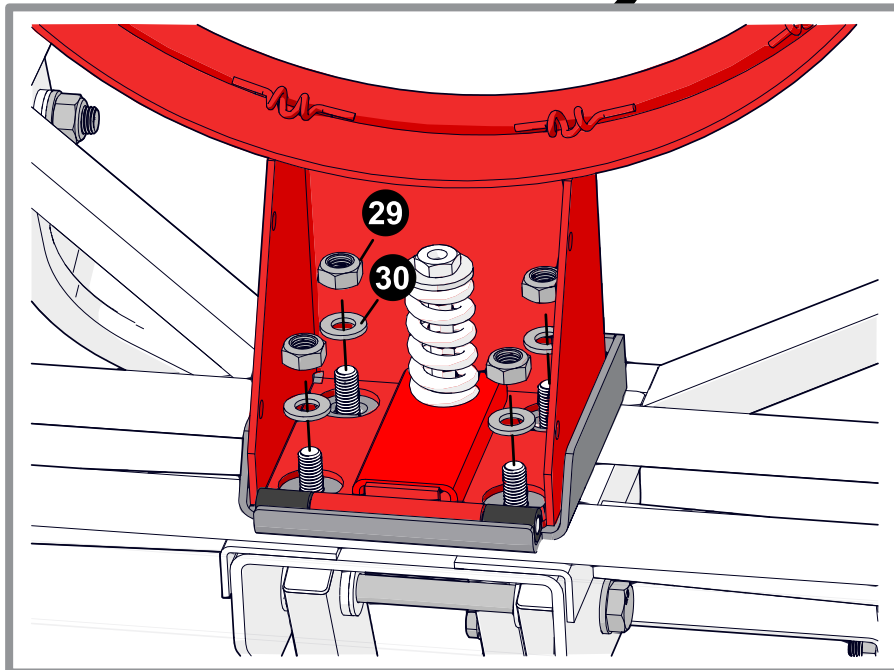
M10-1.5 HEX LOCK NUT  
2B-6801-00  
QTY. 4

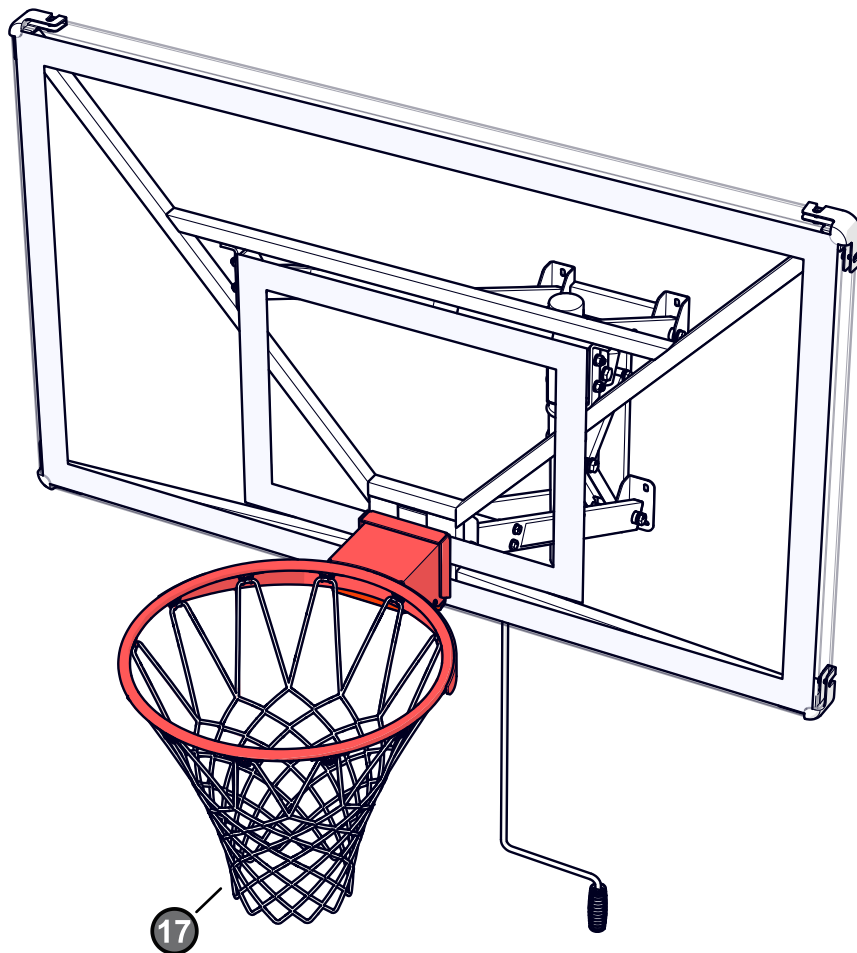


WASHER M10  
2B-6800-00  
QTY. 4

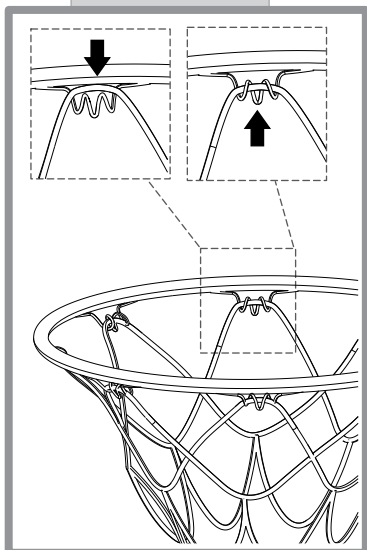


#8 X 1/2" THREAD FORMING SCREW  
1B-6238-01  
QTY. 4

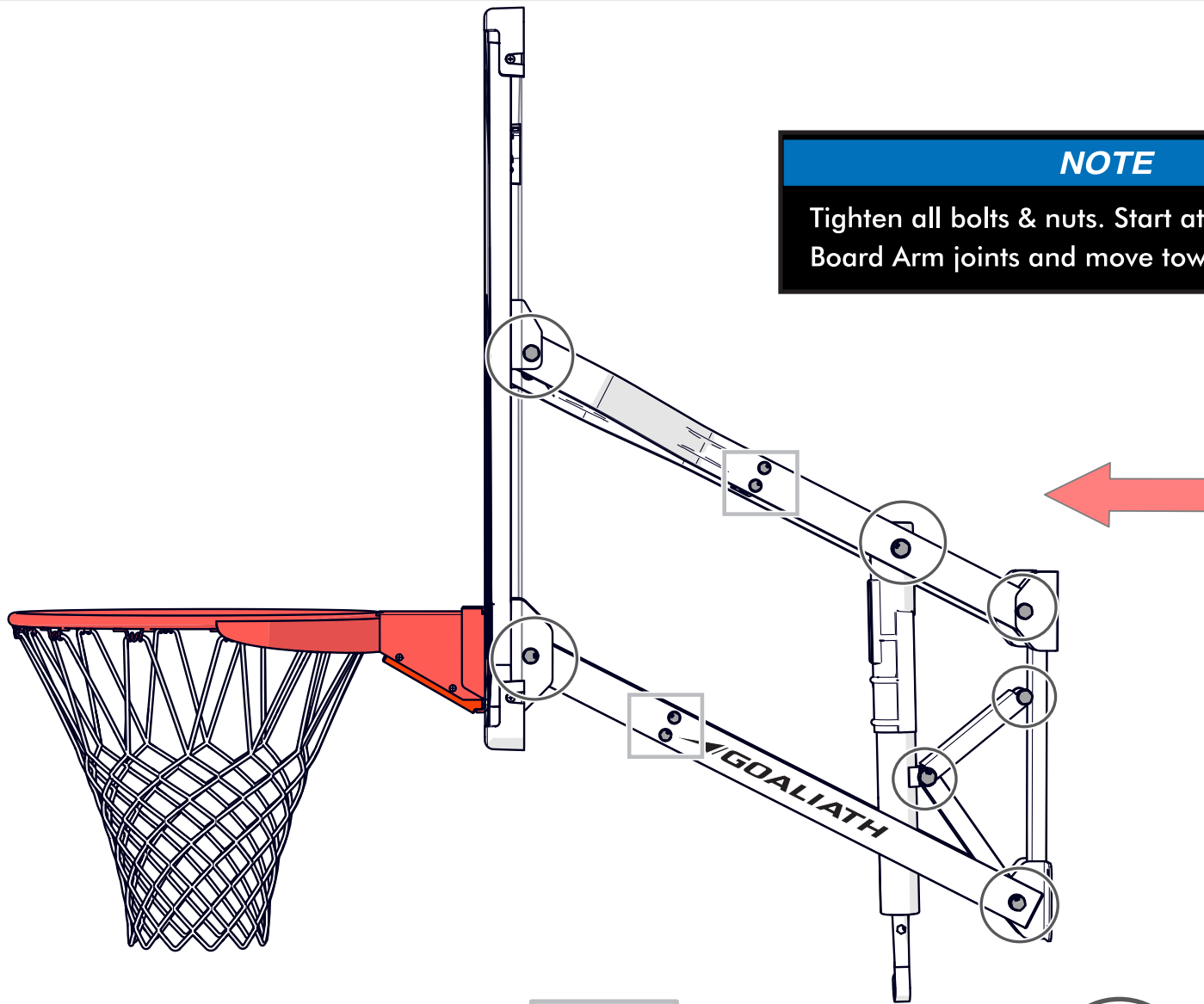




**DETAIL A**



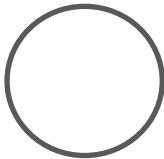




**NOTE**  
Tighten all bolts & nuts. Start at Wall Bracket to Board Arm joints and move towards Backboard.



**Tighten snug but do not crush tube. Do not over-tighten.**

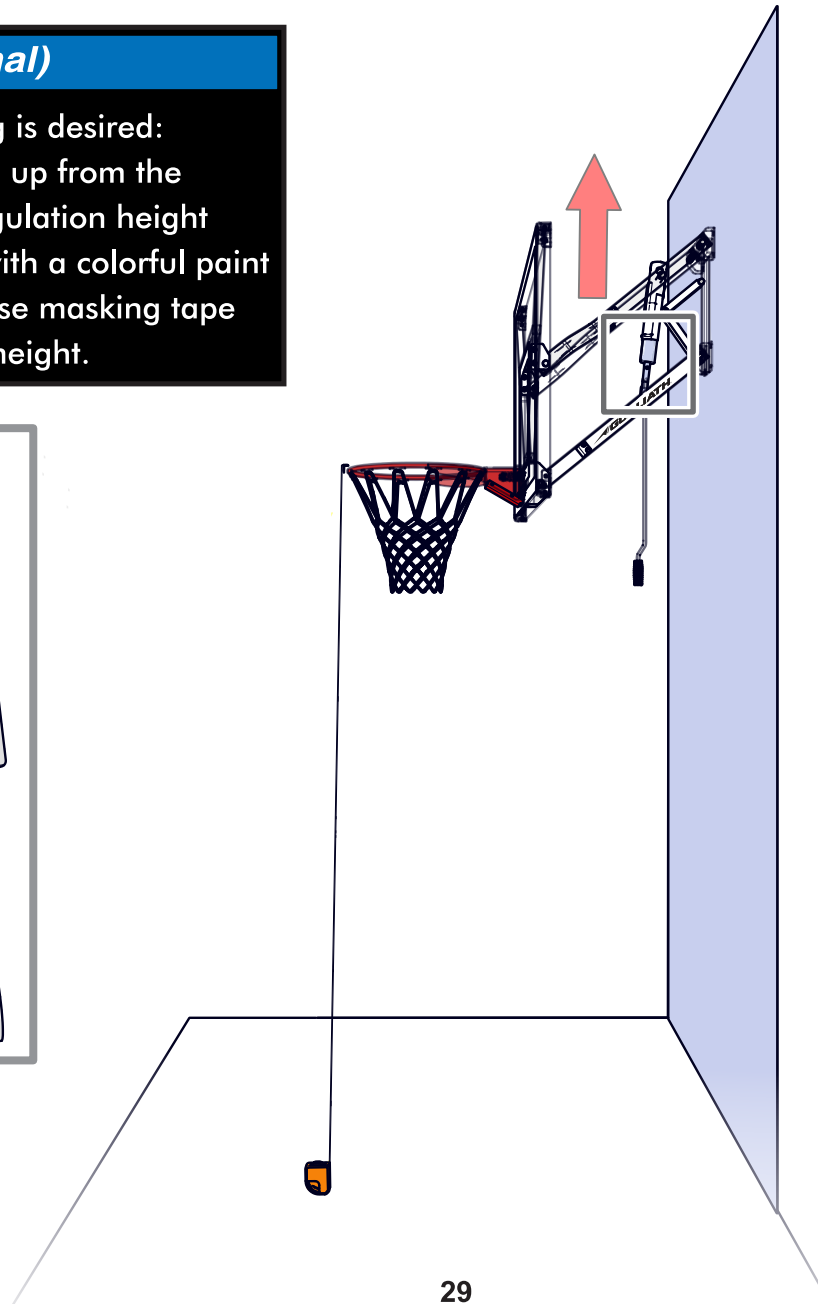
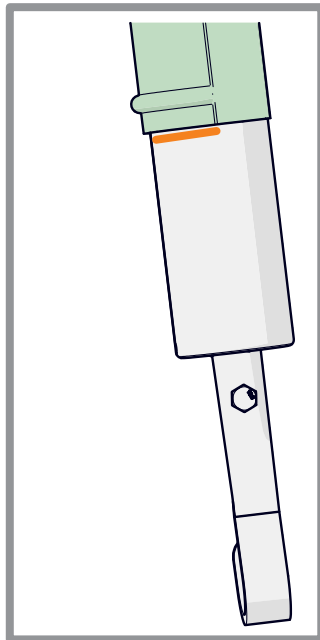


**Tighten hardware but back off half a turn once you feel the hardware is snug.**



**NOTE (optional)**

If a height adjustment marking is desired:  
Raise the unit up and measure up from the  
playing surface until it is at regulation height  
(10') then mark the actuator with a colorful paint  
marker as shown. If desired use masking tape  
for clean lines when marking height.



## 11. Service-Hotline und Ersatzteilbestellformular



Um Ihnen optimal helfen zu können, halten Sie bitte Artikel-Nummer, Seriennummer, Explosionszeichnung und Teileliste bereit.

# S E R V I C E - H O T L I N E

Tel.: 0731-97488- 41

Fax: 0731-97488-64

Montag bis Freitag

von 09.00 Uhr bis 16.00 Uhr

Mail: [info@hammer-basketball.com](mailto:info@hammer-basketball.com)



An  
Hammer Sport AG  
Abt. Kundendienst  
Von-Liebig-Str. 21  
89231 Neu-Ulm

Art.-Nr.:  
Serien Nr.:

Ort: ..... Datum: .....

Ersatzteilbestellung/Spare Part order  
(Bitte in Druckbuchstaben ausfüllen!)

Kaufdatum: ..... Gekauft bei Firma: .....  
(Garantieansprüche nur in Verbindung mit einer Kopie des Kaufbeleges!)

Bitte liefern Sie mir folgende Ersatzteile (Bitte leserlich schreiben!):

Position	Bezeichnung	Stückzahl	Bestellgrund

Käufer:

(Name, Vorname) .....

(Strasse, Hausnr.) .....

(PLZ, Wohnort) .....

(Telefon, Fax) .....

(E-Mail-Adresse) .....

Lieferadresse: (wenn abweichend von Käuferadresse) .....

(Firma) .....

(Ansprechpartner) .....

(Strasse, Hausnr.) .....

(PLZ, Wohnort) .....

(Telefon, Fax) .....

(E-Mail-Adresse) .....

## LIMITED 5 YEAR WARRANTY

This consumer warranty extends to the original consumer purchase of any Escalade® Sports Product (hereinafter referred to as the "Product").

**WARRANTY COVERAGE:** Escalade® Sports warrants to the original Consumer Purchaser that any Product of its manufacture is free from defects in material and workmanship. THIS WARRANTY IS VOID IF THE PRODUCT HAS BEEN DAMAGED BY ACCIDENT, UNREASONABLE USE, NEGLIGENCE, IMPROPER SERVICE, FAILURE TO FOLLOW INSTRUCTIONS PROVIDED WITH THE PRODUCT OR OTHER CAUSES NOT ARISING OUT OF DEFECTS IN MATERIAL OR WORKMANSHIP.

Subject to proper installation and normal Residential use, Escalade® Sports warrants, subject to the limitations below, to the original retail purchaser all structural components of the Goliath® System to be free of defects in material and workmanship for a period of five (5) years from the original purchase.

Merchandise must be shipped prepaid with a copy of proof of purchase to Escalade® Sports factory for examination to determine if the basketball system needs to be repaired or replaced. Any labor costs, travel expenses and any other changes involved in the removal, installation or replacement of the defective/repared parts from/to your Goliath® System will be the purchaser's responsibility. Shipping charges for replaced or warranted merchandise sent back to the customer from Escalade® Sports factory must be prepaid by the customer in advance. If not, the replacement shipment will be sent out collect.

Escalade® Sports reserves the right to examine photographs or physical evidence of merchandise claimed to be defective, and to recover said merchandise, prior to authorization of warranty claims. A "Returned Goods Authorization" number may be required, please call for details prior to the return of any photographs or merchandise.

This limited 5 year warranty is expressly in lieu of all warranties, expressed or implied, including warranties of merchantability or fitness for use. Escalade® Sports does not assume or authorize any person or representative to assume for us, any other liability in connection with the sale of our products.

The remedy of repair or replacement stated above is Escalade® Sports exclusive remedy. Escalade® Sports will not be liable for any other damages or expenses which may incur, including but not limited to incidental or consequential damages. Escalade® Sports assumes no other obligations or liability on the part of the purchaser, and Escalade® Sports neither assumes nor authorizes any other person to assume for it any other liability in connection with the goods sold.

This warranty shall not apply in any manner to parts or accessories not manufactured by Escalade® Sports.

### NOT COVERED BY THIS WARRANTY

- Merchandise not intended to be in places of public assembly, such as, but not limited to, schools, parks, public or private recreational facilities.
- Any merchandise subjected to Non-residential abuse, negligence, improper installation, vandalism, acts of God, alteration of product, or any other events beyond the control of Escalade® Sports.
- Paint or rusted parts. If rust should appear, remove loose paint, sand lightly, primer and paint with exterior flat matte finish enamel paint.
- HANGING ON RIM WILL VOID THE WARRANTY: Rims are not warranted for any defects other than workmanship. Torn back plates, damaged springs, bent rings, damaged eyebolts, and torn or distorted rim supports result from hanging on the rim and are not warranted.
- Shipping charges both ways. Note: Any merchandise shipped to Escalade® Sports collect will be refused.
- Dealer service charges, labor charges and travel expenses associated with replacement of repair of warranty item.

**WARRANTY DISCLAIMERS:** ANY IMPLIED WARRANTIES ARISING OUT OF THIS SALE, INCLUDING BUT NOT LIMITED TO THE IMPLIED WARRANTIES OF MERCHANTABILITY AND FITNESS FOR A PARTICULAR PURPOSE, ARE LIMITED IN DURATION. ESCALADE® SPORTS SHALL NOT BE LIABLE FOR LOSS OF USE OF THE PRODUCT OR OTHER CONSEQUENTIAL OR INCIDENTAL COSTS. EXPENSES OR DAMAGES INCURRED BY THE CONSUMER OF ANY OTHER USE.

Some states do not allow the exclusion or limitation of implied warranties or consequential or incidental damages, so the above limitations or exclusions may not apply to you.

LEGAL REMEDIES: This warranty gives you specific legal rights, and you may also have other rights which may vary from state to state.

### WARRANTY GUIDELINES IS REQUIRED FOR ALL WARRANTY CLAIMS

1. Proof of Purchase (original retail purchaser) is required for all warranty claims.
2. Call or email **Hammer Sport AG**  
Tel: 0731-97488-41  
E-mail: info@hammer-basketball.com